

Round Covers

1, 2 or 3 Hole

Features

- 1, 2, or 3 non NPT threads
- Weather seal gasket blocks moisture
- Installation instructions included
- Gray, bronze and white

Application

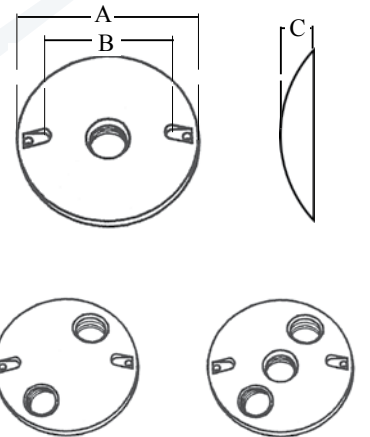
- For use with round outdoor device box

Standard Material

- Copper free aluminum



UL* Listed and 2011 NEC*
and NEMA* 3R Compliant



Catalog Number	UPC	# Holes	KO	Ship Case	Weight/Case	Inches		
						A	B	C
WRC150	81132	1	1/2"	50	9	4.50	3.5	8.75
WRC150B*	86527	1	1/2"	50	9	4.50	3.5	8.75
WRC250	81133	2	1/2"	50	9	4.50	3.5	8.75
WRC350	81134	3	1/2"	50	9	4.50	3.5	8.75
WRC350B*	85582	3	1/2"	50	9	4.50	3.5	8.75
WRC150W**	83616	1	1/2"	50	9	4.50	3.5	8.75
WRC250W**	83617	2	1/2"	50	10	4.50	3.5	8.75
WRC350W**	83618	3	1/2"	50	10	4.50	3.5	8.75

*Bronze **White