

# Double Gang Boxes

## 7 Hole Side Opening

### Features

- 31 cubic inch capacity
- 1/2" or 3/4" knockouts
- Superior commercial quality die cast metal construction
- Boxes include closure plugs, grounding screws and mounting lugs
- Installation instructions included
- Gray

### Applications

- UL listed for wet locations
- For wall or pole mounting of outdoor outlets, switches or floodlights

### Standard Material

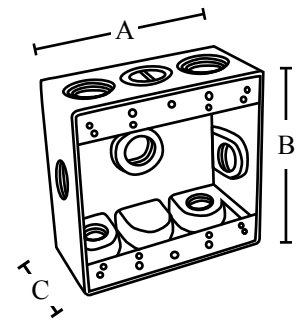
- Copper free aluminum

### Standard Finish

- Premium powder coat finish



UL\* Listed and 2011 NEC\*  
and NEMA\* 3R Compliant



Catalog Number	UPC	KO	Ship Case	Weight/ Case	Inches		
					A	B	C
<b>WB2750X</b>	84093	<b>1/2"</b>	10	19	4.56	4.56	2.00
<b>WB2775X</b>	84094	<b>3/4"</b>	10	19	4.56	4.56	2.00