

# Rigid Special Radius Elbows

## NPT Thread with End Cap on Each End - Galvanized Steel



### Features

- Low conductivity, high corrosion resistance
- Smooth defect free interior and exterior
- NPT thread with end cap on each end

### Applications

- For a secure connection to Rigid conduit; bend enables directional changes in conduit

### Standard Material

- Galvanized steel

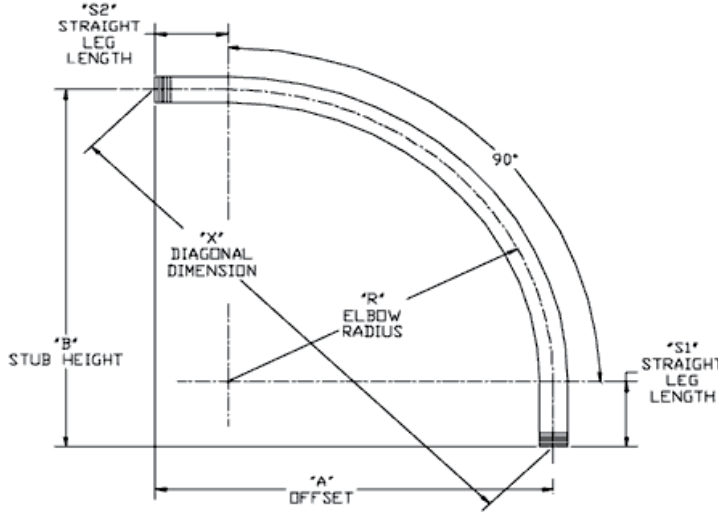
Catalog Number	UPC	Size	Ship Case	Weight/Case
6624	31082	2" X 90° x 24"	1	17
6630SR	86364	2" X 90° x 30"	1	20
6636	31084	2" X 90° x 36"	1	22
6642	31085	2" X 90° x 42"	1	25
6648	31086	2" X 90° x 48"	1	29
6724	31092	2-1/2" X 90° x 24"	1	26
6730SR	86365	2-1/2" X 90° x 30"	1	30
6736	31094	2-1/2" X 90° x 36"	1	34
6742	31095	2-1/2" X 90° x 42"	1	39
6748	31096	2-1/2" X 90° x 48"	1	45
6824	31102	3" X 90° x 24"	1	33
6830SR	86321	3" X 90° x 30"	1	38
6836	31104	3" X 90° x 36"	1	43
6842	31105	3" X 90° x 42"	1	54
6848	31106	3" X 90° x 48"	1	60
6924	31112	3-1/2" X 90° x 24"	1	41
6930SR	70004	3-1/2" X 90° x 30"	1	47
6936	31114	3-1/2" X 90° x 36"	1	53
6942	31115	3-1/2" X 90° x 42"	1	62
6948	31116	3-1/2" X 90° x 48"	1	66

Catalog Number	UPC	Size	Ship Case	Weight/Case
7018	70005	4" X 90° x 18"	1	40
7024	31122	4" X 90° x 24"	1	47
7030SR	70006	4" X 90° x 30"	1	54
7036	31124	4" X 90° x 36"	1	72
7042	31125	4" X 90° x 42"	1	72
7048	31126	4" X 90° x 48"	1	81
7060	70007	4" X 90° x 60"	1	88
70A36	31129	5" X 90° x 36"	1	83
70A42	86304	5" X 90° x 42"	1	98
70A48	70008	5" X 90° x 48"	1	108
70A60	70009	5" X 90° x 60"	1	122
70B36	82488	6" X 90° x 36"	1	120
70B42	70010	6" X 90° x 42"	1	135
70B48	70011	6" X 90° x 48"	1	145
70B60	70012	6" X 90° x 60"	1	165

See chart page 2

# Rigid Special Radius Elbows

## NPT Thread with End Cap on Each End - Galvanized Steel



Applicable Specification: UL 6

SIZE	RADIUS	12	15	18	24	30	36	42	48	60
1	LEG LENGTH	8 9/16	9 1/4	9 7/8	10 5/8	10 15/16	10 3/4	12	13 5/16	
	UNBENT LENGTH	36	42	48	59	69	78	90	102	
	DIAGONAL	29 1/8	34 1/4	39 7/16	49	57 7/8	66 1/16	76 3/8	86 11/16	
	'A' OFFSET	20 9/16	24 1/4	27 7/8	34 5/8	40 15/16	46 3/4	54	61 5/16	
	'B' STUB HEIGHT	20 9/16	24 1/4	27 7/8	34 5/8	40 15/16	46 3/4	54	61 5/16	
1 1/4	LEG LENGTH	8 9/16	9 1/4	9 7/8	10 5/8	10 15/16	10 3/4	12	13 5/16	
	UNBENT LENGTH	36	42	48	59	69	78	90	102	
	DIAGONAL	29 1/8	34 1/4	39 7/16	49	57 7/8	66 1/16	76 3/8	86 11/16	
	'A' OFFSET	20 9/16	24 1/4	27 7/8	34 5/8	40 15/16	46 3/4	54	61 5/16	
	'B' STUB HEIGHT	20 9/16	24 1/4	27 7/8	34 5/8	40 15/16	46 3/4	54	61 5/16	
1 1/2	LEG LENGTH	8 9/16	9 1/4	9 7/8	10 5/8	10 15/16	10 3/4	12	13 5/16	
	UNBENT LENGTH	36	42	48	59	69	78	90	102	
	DIAGONAL	29 1/8	34 1/4	39 7/16	49	57 7/8	66 1/16	76 3/8	86 11/16	
	'A' OFFSET	20 9/16	24 1/4	27 7/8	34 5/8	40 15/16	46 3/4	54	61 5/16	
	'B' STUB HEIGHT	20 9/16	24 1/4	27 7/8	34 5/8	40 15/16	46 3/4	54	61 5/16	
2	LEG LENGTH	8 9/16	9 1/4	9 7/8	10 5/8	10 15/16	10 3/4	12	13 5/16	
	UNBENT LENGTH	36	42	48	59	69	78	90	102	
	DIAGONAL	29 1/8	34 1/4	39 7/16	49	57 7/8	66 1/16	76 3/8	86 11/16	
	'A' OFFSET	20 9/16	24 1/4	27 7/8	34 5/8	40 15/16	46 3/4	54	61 5/16	
	'B' STUB HEIGHT	20 9/16	24 1/4	27 7/8	34 5/8	40 15/16	46 3/4	54	61 5/16	
2 1/2	LEG LENGTH	8 9/16	9 1/4	9 7/8	10 5/8	10 15/16	10 3/4	12	13 5/16	
	UNBENT LENGTH	36	42	48	59	69	78	90	102	
	DIAGONAL	29 1/8	34 1/4	39 7/16	49	57 7/8	66 1/16	76 3/8	86 11/16	
	'A' OFFSET	20 9/16	24 1/4	27 7/8	34 5/8	40 15/16	46 3/4	54	61 5/16	
	'B' STUB HEIGHT	20 9/16	24 1/4	27 7/8	34 5/8	40 15/16	46 3/4	54	61 5/16	
3	LEG LENGTH		9 1/4	9 7/8	10 5/8	10 15/16	10 3/4	12	13 5/16	
	UNBENT LENGTH		42	48	59	69	78	90	102	
	DIAGONAL		34 1/4	39 7/16	49	57 7/8	66 1/16	76 3/8	86 11/16	
	'A' OFFSET		24 1/4	27 7/8	34 5/8	40 15/16	46 3/4	54	61 5/16	
	'B' STUB HEIGHT		24 1/4	27 7/8	34 5/8	40 15/16	46 3/4	54	61 5/16	
3 1/2	LEG LENGTH			9 7/8	10 5/8	10 15/16	10 3/4	12	13 5/16	
	UNBENT LENGTH			48	59	69	78	90	102	
	DIAGONAL			39 7/16	49	57 7/8	66 1/16	76 3/8	86 11/16	
	'A' OFFSET			27 7/8	34 5/8	40 15/16	46 3/4	54	61 5/16	
	'B' STUB HEIGHT			27 7/8	34 5/8	40 15/16	46 3/4	54	61 5/16	
4	LEG LENGTH			9 7/8	10 5/8	10 15/16	10 3/4	12	13 5/16	
	UNBENT LENGTH			48	59	69	78	90	102	
	DIAGONAL			39 7/16	49	57 7/8	66 1/16	76 3/8	86 11/16	
	'A' OFFSET			27 7/8	34 5/8	40 15/16	46 3/4	54	61 5/16	
	'B' STUB HEIGHT			27 7/8	34 5/8	40 15/16	46 3/4	54	61 5/16	
5	LEG LENGTH					10 15/16	10 3/4	12	13 5/16	11 7/8
	UNBENT LENGTH					69	78	90	102	118
	DIAGONAL					57 7/8	66 1/16	76 3/8	86 11/16	101 1/2
	'A' OFFSET					40 15/16	46 3/4	54	61 5/16	71 7/8
	'B' STUB HEIGHT					40 15/16	46 3/4	54	61 5/16	71 7/8
6	LEG LENGTH						10 3/4	12	13 5/16	11 7/8
	UNBENT LENGTH						78	90	102	118
	DIAGONAL						66 1/16	76 3/8	86 11/16	101 1/2
	'A' OFFSET						46 3/4	54	61 5/16	71 7/8
	'B' STUB HEIGHT						46 3/4	54	61 5/16	71 7/8