

90° Liquidtight Connectors with Insulated Throat - Malleable Iron

Features

- Liquidtight, raintight, oiltight
- Suitable for wet location use
- Tapered threaded male hub NPT
- Insulated throat protects conductors from abrasion damage
- Compact slim diameter with small turning radius
- Zinc electro plated for excellent durability



Applications

- To secure, ground and seal liquidtight conduit to a box or enclosure
- UL listed liquidtight flexible metal conduit fittings are suitable for use in the following hazardous locations under: NEC 501-4(b), 502-4(a), (2)503-3(a) Class 1 Div.2, Class II Div.1 and 2, Class III Div.1 and 2 and are suitable for grounding in sizes 3/8" through 1-1/2" under NEC 351-1

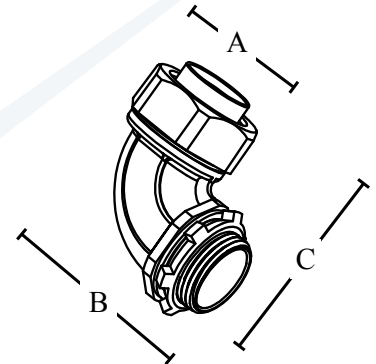


Standard Material

- Malleable iron
- Steel locknut

Standard Finish

- Zinc plated



Catalog Number	UPC	Conduit Size	Unit Carton	Ship Case	Weight/Case	Inches		
						A	B	C
490S	14790	3/8" 1/2" KO	10	100	26	1.18	1.96	2.47
491S	14800	1/2"	10	100	28	1.36	2.10	2.54
492S	14810	3/4"	10	100	41	1.61	2.45	2.82
493S	14820	1"	5	50	31	1.89	2.83	3.08
494S	33690	1-1/4"	2	20	20	2.39	3.15	3.53
495S	33700	1-1/2"	2	20	25	2.62	3.50	4.17
496S	33710	2"	1	10	19	3.24	4.02	4.69
497S	33720	2-1/2"	---	1	5	3.89	6.23	6.74
498S	33730	3"	---	1	7	4.74	6.91	7.52
499S	33730	3-1/2"	---	1	9	5.31	7.57	7.93
500S	33750	4"	---	1	14	5.82	8.07	8.72