

90° Liquidtight Connectors

With Insulated Throat - Zinc

Features

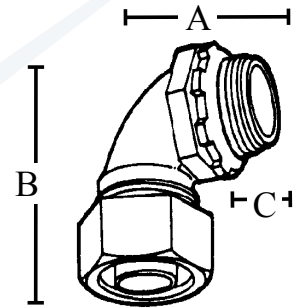
- 90° component type connectors
- Assembled with a die cast locknut
- Insulated throat protects against abrasion damage

Applications

- For use with metallic and non-metallic "Type B" liquidtight conduit

Standard Material

- Zinc die cast



Catalog Number	UPC	Size	Unit Carton	Ship Case	Weight/Case	A	Inches B	C
490i	14720	3/8" 1/2" KO	10	100	30	2.062	2.340	.52
491i	14730	1/2"	10	100	27	2.220	2.340	.52
492i	14740	3/4"	10	100	39	2.550	3.550	.68
493i	14750	1"	5	50	33	2.820	3.785	.67
494i	14760	1-1/4"	2	20	21	3.362	3.960	.70
495i	14770	1-1/2"	2	20	26	3.450	4.130	.70
496i	14780	2"	1	10	20	4.036	4.700	.57