

# 90° Pull Elbows

## EMT and Rigid Combo to Box - Zinc Die Cast



### Features

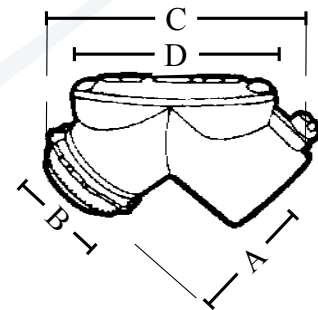
- EMT and Rigid combo to box pull elbows
- Removable cover facilitates wire pulling
- Neoprene gasket

### Applications

- Indoor or outdoor use
- Use to connect a run of threaded Rigid or IMC conduit to an outlet box or other metal enclosure
- Can be used with EMT indoors only

### Standard Material

- Zinc die cast



Catalog Number	UPC	Size	Unit Carton	Ship Case	Weight/Case	Inches			
						A	B	C	D
<b>361SS</b>	85034	<b>1/2"</b>	10	100	31	1.31	1.09	2.40	1.80
<b>362SS</b>	85035	<b>3/4"</b>	5	50	18	1.47	1.29	2.66	2.14
<b>363SS</b>	85036	<b>1"</b>	---	25	21	2.80	1.60	3.66	3.16
<b>364SS</b>	85037	<b>1-1/4"</b>	---	20	25	3.13	1.96	5.16	3.24