

## 45° Liquidtight Connectors with Insulated Throat - Malleable Iron

### Features

- Liquidtight, raintight, oiltight
- Suitable for wet location use
- Tapered threaded male hub NPT
- Insulated throat protects conductors from abrasion damage
- Compact slim diameter with small turning radius
- Zinc electro plated for excellent durability



### Applications

- To secure, ground and seal liquidtight conduit to a box or enclosure
- UL listed liquidtight flexible metal conduit fittings are suitable for use in the following hazardous locations under: NEC 501-4(b), 502-4(a), (2)503-3(a) Class 1 Div.2, Class II Div.1 and 2, Class III Div.1 and 2 and are suitable for grounding in sizes 3/8" through 1-1/2" under NEC 351-1

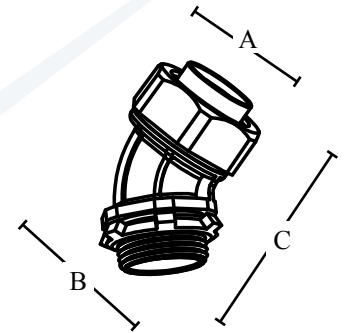


### Standard Material

- Malleable iron
- Steel locknut

### Standard Finish

- Zinc plated



Catalog Number	UPC	Conduit Size	Unit Carton	Ship Case	Weight/Case	A	B	C
<b>230S</b>	11960	<b>3/8" 1/2" KO</b>	10	100	24	1.18	1.39	2.51
<b>231S</b>	11970	<b>1/2"</b>	10	100	28	1.36	1.50	2.51
<b>232S</b>	11980	<b>3/4"</b>	10	100	42	1.61	1.73	2.70
<b>233S</b>	11990	<b>1"</b>	5	50	32	1.89	2.11	3.05
<b>234S</b>	33550	<b>1-1/4"</b>	2	20	22	2.39	2.56	3.65
<b>235S</b>	33560	<b>1-1/2"</b>	2	20	32	2.62	2.77	4.01
<b>236S</b>	33570	<b>2"</b>	2	20	49	3.24	3.38	4.64
<b>237S</b>	33580	<b>2-1/2"</b>	---	1	5	3.89	4.68	6.46
<b>238S</b>	33590	<b>3"</b>	---	1	7	4.74	5.33	7.01
<b>239S</b>	33591	<b>3-1/2"</b>	---	1	10	5.31	5.81	7.33
<b>240S</b>	33610	<b>4"</b>	---	1	12	5.82	6.42	8.20