

BX-Flex, NM and MC Cable Connectors

Saddle Type

Features

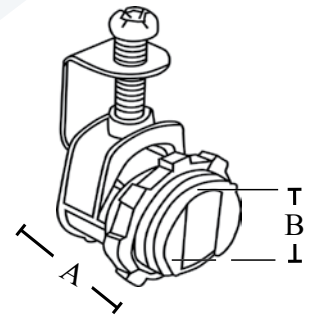
- UL listed for use with MC, AC, FMC, RWFM, MCI and MCI-A cables
- Tri-combo screw head

Applications

- Dry location use only: Use to connect NM, armored or metal clad cable to box or enclosure
- Use to connect steel or aluminum FMC, AC, MC cables and aluminum MCC and MCI-A cable to box or enclosure

Standard Material

- Zinc die cast
- Zinc plated steel strap



Catalog Number	UPC	Size	KO	Unit Carton	Ship Case	Weight/Case	Inches	
							A	B (Min.-Max.)
170	11380	3/8"	1/2"	50	500	40	.935	.400-.500