



5362-IG

Description

20 Amp, 125 Volt, NEMA 5-20R, 2P, 3W, Slim Body Duplex Receptacle, Straight Blade, Industrial Grade, Isolated Ground, , Back & Side 8 Hole Feed-Thru Wired, Steel Strap, - Orange

UPC Code: 07847705245

Trade Price: \$2,461.14 C

Product Features

NEMA: 5-20R



Grounding: Isolated Ground

Amperage: 20 Amp

Voltage: 125 Volt

NEMA: 5-20R

Pole: 2

Wire: 3

Termination: Back & Side 8 Hole Feed-Thru

Face Material: Thermoplastic Nylon

Body Material: Thermoplastic Nylon

Strap Material: Steel

Color: Orange

Standards and Certifications: UL/CSA

Warranty: 10 Year Limited

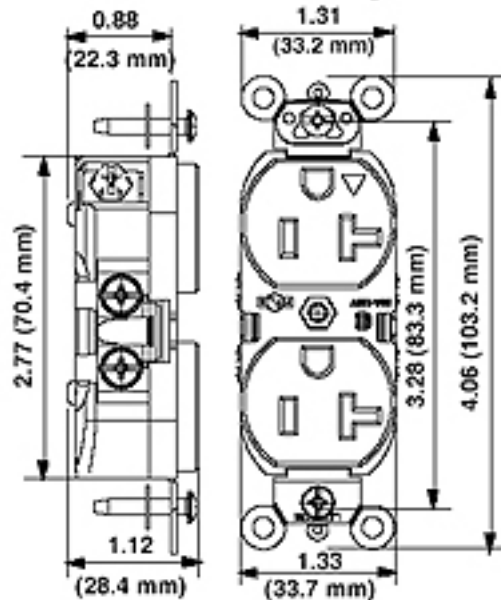
AC Horsepower Ratings	
At Rated Voltage	1 HP
Environmental Specifications	
Flammability	Rated V-2 per UL94
Operating Temperature	-40C to 60C
Mechanical Specifications	
Terminal ID	Brass-Hot, Green-Ground, White-Neutral
Terminal Accom.	14-10 AWG
Product ID	Ratings are permanently marked on device
Standards and Certifications	
NEMA	WD-6
ANSI	C-73
UL498	File E13399
UL Fed Spec WC-596	File E13399
CSA C22.2 No. 42	File 152105
NOM	057

Electrical Specifications	
Dielectric Voltage	Withstands 2000V per UL498
Current Limiting	Full Rated Current
Temperature Rise	Max 30C after 250 cycles OL at 200 percent rated current

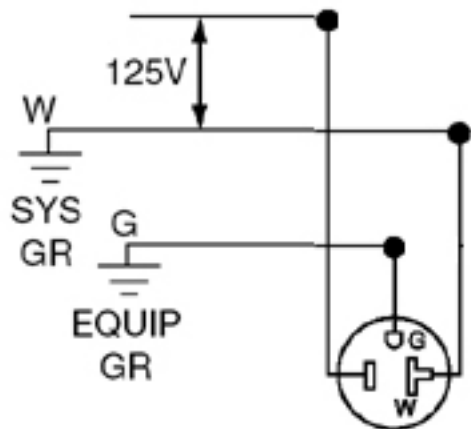
Material Specifications	
Face Material	Thermoplastic Nylon
Body Material	Thermoplastic Nylon
Line Contacts	Brass Triple-Wipe
Terminal Screws	Brass 10-32
Grounding Screw	Brass 8-32
Yoke	Zinc-Plated Steel
Clamp Nuts	Zinc-Plated Steel

Packaging Specifications	
Standard Pack	50
Inner Pack	10
Unit Pack	BOXED
Carton Length	12
Carton Width	9.375
Carton Depth	9.125
Cube	.59
Carton Weight	12.1

Dimensional Diagram



Wiring Diagram



5-20R

SPECIFICATION SUBMITTAL

JOB NAME: <input type="text"/>	CATALOG NUMBERS: <input type="text"/>	<input type="text"/>
JOB NUMBER: <input type="text"/>	<input type="text"/>	<input type="text"/>

Leviton Manufacturing Co., Inc.

59-25 Little Neck Parkway, Little Neck, NY 11362-2591

Telephone: 1-800-323-8920 · FAX: 1-800-832-9538 · Tech Line (8:30AM-7:30PM E.S.T. Monday-Friday): 1-800-824-3005

Leviton Manufacturing of Canada, Ltd.

165 Hymus Boulevard, Pointe Claire, Quebec H9R 1E9 · Telephone: 1-800-469-7890 · FAX: 1-800-824-3005

Leviton S. de R.L. de C.V.

Lago Tana 43, Mexico DF, Mexico CP 11290 · Tel.: (+52)55-5082-1040 · FAX: (+52)5386-1797 · www.leviton.com.mx



Visit our Website at: www.leviton.com

©2007 Leviton Manufacturing Co., Inc. All rights reserved. Subject to change without notice.