

Hospital Grade SmartlockPro® Slim GFCI Receptacles

Specification and Ordering Guide



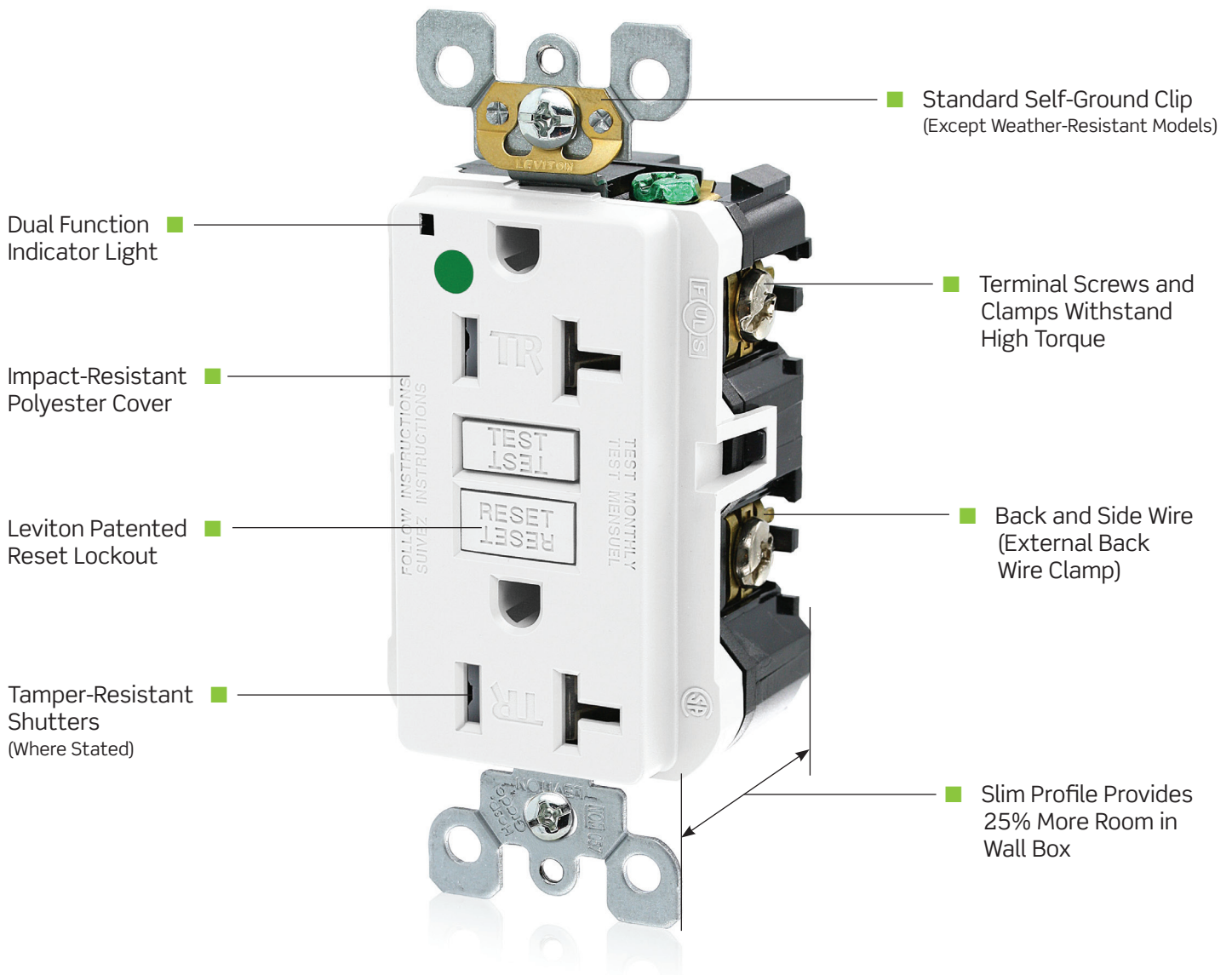
- Shallow profile design is easier to install in all electrical boxes
- Same SmartlockPro® advantages you've come to rely on
- Sleek, flush appearance

Slim is in.



GFCI installation just became easier!

New Hospital Grade SmartlockPro® Slim GFCI Receptacles Fit Right In and Look Great



- Standard Self-Ground Clip (Except Weather-Resistant Models)
- Dual Function Indicator Light
- Impact-Resistant Polyester Cover
- Leviton Patented Reset Lockout
- Tamper-Resistant Shutters (Where Stated)
- Terminal Screws and Clamps Withstand High Torque
- Back and Side Wire (External Back Wire Clamp)
- Slim Profile Provides 25% More Room in Wall Box

- Low-profile design is easy to install in all electrical boxes
- Saves time on the job
- Available in 15A and 20A versions, all with Fed Spec ratings

- Plus, all the advantages that have made SmartlockPro GFCIs a top brand, including reset lockout, dual function indicator light and superior noise immunity

Slim is in!

Industry-leading quality, professional grade lockout action, and one of the slimmest profiles on the market make Hospital Grade SmartlockPro Slim GFCIs the smartest choice in ground fault circuit interrupter protection. Faster and easier to install in any wallbox because depth is reduced, the slim GFCIs flush mount to the wall with minimal protrusion for a sleek, finished look.

The SmartlockPro® Protection Advantage

Patented Reset Lockout

The Reset Lockout feature provides an end-of-life indication and prevents reset if a SmartlockPro GFCI is damaged so that it cannot respond to a ground fault. Competitive GFCIs may allow reset even if they are no longer providing protection. The SmartlockPro RESET button will not engage if:

- The GFCI is miswired due to reversal of the line and load leads
 - Delivery of power to feed-through terminal and face will be blocked
- There is no power being supplied to the GFCI
- The GFCI cannot pass its internal test

LED Indicator for Line-Load Reversal*

If a SmartlockPro GFCI is miswired during installation (line-load reversal) it cannot be reset. The green LED will be ON to indicate a line-load reversal. Once the GFCI is properly wired and can be reset, the LED acts as a power indicator that remains ON as long as the GFCI is operating correctly and providing power. Unlike some other designs that employ a one-time feature, Leviton's line-load reversal protection is not lost or disabled after initial installation.

Other Features and Benefits

- Impact-resistant polyester cover and thermoplastic body extend service life
- Silver alloy contacts provide superior conductivity
- Patented bridge contact provides individual sets of contacts for GFCI receptacle face and downstream receptacles; no power will be delivered to receptacle face if improperly wired (line-load reversed)
- Trip threshold meets or exceeds UL requirements for tripping time
- Improved immunity to high frequency noise reduces nuisance tripping
- Advanced electronics provides superior resistance to electrical surges and over-voltages
- TEST and RESET button colors match device face
- Compatible with all Decora® devices and wall plates; available in select Decora colors
- Two-Year Limited Warranty

SmartlockPro Dual-Function LED Indicators*

	LED Indication	Reset Status	Reason
During initial installation	ON	Will not reset	Line and load leads are reversed
	OFF	Press RESET and LED comes ON	GFCI is wired and operating correctly
During normal operation	ON	GFCI is reset	Power is ON
	OFF	GFCI is Tripped	Power is OFF

*Self-test indicators may differ. Refer to instruction sheet.

Slim GFCI Duplex Receptacles

15 Amp & 20 Amp, 125 Volt

Features & Benefits:

- Automatically tests the GFCI every time the RESET button is pushed in
- The GFCI will not reset if its circuit is not functioning properly
- Blocks the RESET button if GFCI protection has been compromised, reducing the possibility of end-users incorrectly assuming that a reset GFCI is providing ground fault protection when it is not
- Patented bridge contact provides individual sets of contacts for GFCI receptacle face and downstream receptacles
- Trip threshold meets or exceeds UL requirements for tripping time
- Improved immunity to high frequency noise reduces nuisance tripping
- Advanced electronics provides superior resistance to electrical surges and over-voltages
- Silver alloy contacts
- Impact-resistant cover and body
- Expanded wiring options with external wiring clamps
- Dual function LED offers indication of line/load reversal and power availability
- One-piece T-design trip latch mechanism provides efficient operation
- TEST and RESET button colors match device face

Tamper-Resistant (TR)

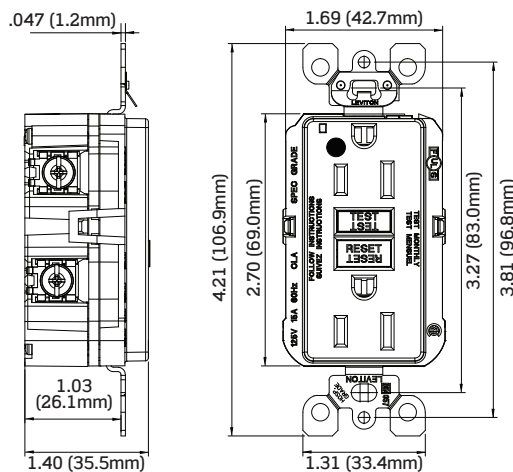
- Comply with NEC® Section 517.18C mandating that all 15A and 20A receptacles installed in pediatric locations be listed as tamper-resistant
- Shutter mechanism inside the receptacle blocks access to the contacts unless a two-prong plug is inserted



N7599-HGI



X7899-HGR



Typical for N7599, N7899, X7599, X7899

Description		Duplex Receptacles		Tamper-Resistant Duplex Receptacles	
Amperage	15A	20A	15A	20A	
NEMA Configuration	5-15R	5-20R	5-15R	5-20R	
Order ID	Brown	N7599-HG	N7899-HG	X7599-HG	X7899-HG
	Ivory	N7599-HGI	N7899-HGI	X7599-HGI	X7899-HGI
	White	N7599-HGW	N7899-HGW	X7599-HGW	X7899-HGW
	Black	N7599-HGE	N7899-HGE	X7599-HGE	X7899-HGE
	Grey	N7599-HGG	N7899-HGG	X7599-HGG	X7899-HGG
	Lt Almond	N7599-HGT	N7899-HGT	X7599-HGT	X7899-HGT
	Red	N7599-HGR	N7899-HGR	X7599-HGR	X7899-HGR
AC Horsepower Ratings					
At Rated Voltage	1 Hp	1 Hp	1 Hp	1 Hp	1 Hp
Electrical Specifications					
Short Circuit Current Rating (SCCR)	10kA	10kA	10kA	10kA	10kA
Voltage Rating	125 Volt	125 Volt	125 Volt	125 Volt	125 Volt
Frequency	60Hz	60Hz	60Hz	60Hz	60Hz
Feed-Thru Current Rating	20A	20A	20A	20A	20A
Environmental Specifications					
Flammability	Rated V-0 per UL 94	Rated V-0 per UL 94	Rated V-0 per UL 94	Rated V-0 per UL 94	Rated V-0 per UL 94
Operating Temperature	-35C to +66C	-35C to +66C	-35C to +66C	-35C to +66C	-35C to +66C
Material Specifications					
Face Material	Polyester	Polyester	Polyester	Polyester	Polyester
Body Material	Polycarbonate	Polycarbonate	Polycarbonate	Polycarbonate	Polycarbonate
Terminal Screws	Plated Steel	Plated Steel	Plated Steel	Plated Steel	Plated Steel
Grounding Screws	Plated Steel	Plated Steel	Plated Steel	Plated Steel	Plated Steel
Strap	Galvanized Steel	Galvanized Steel	Galvanized Steel	Galvanized Steel	Galvanized Steel
Clamps	Brass	Brass	Brass	Brass	Brass
Shutter Mechanism	—	—	Acetal	Acetal	Acetal
Wallplate	Nylon Wallplate Included	Nylon Wallplate Included	Nylon Wallplate Included	Nylon Wallplate Included	Nylon Wallplate Included
Mechanical Specifications					
Terminal Accommodation – Solid & Stranded	14 to 10 AWG	14 to 10 AWG	14 to 10 AWG	14 to 10 AWG	14 to 10 AWG
Product ID	Ratings are permanently marked on the device	Ratings are permanently marked on the device	Ratings are permanently marked on the device	Ratings are permanently marked on the device	Ratings are permanently marked on the device
Performance Data					
Diagnostics	Dual Function LED Indicator	Dual Function LED Indicator	Dual Function LED Indicator	Dual Function LED Indicator	Dual Function LED Indicator
Trip Level	Class A, 5mA +/- 1mA	Class A, 5mA +/- 1mA	Class A, 5mA +/- 1mA	Class A, 5mA +/- 1mA	Class A, 5mA +/- 1mA
Standards & Certifications					
NEMA	WD-1 & WD-6	WD-1 & WD-6	WD-1 & WD-6	WD-1 & WD-6	WD-1 & WD-6
ANSI	C-73	C-73	C-73	C-73	C-73
UL 498	File E13399	File E13399	File E13399	File E13399	File E13399
CSA C22.2 No. 42	File LR-57811	File LR-57811	File LR-57811	File LR-57811	File LR-57811
NOM	057	057	057	057	057
UL 943	File E48380	File E48380	File E48380	File E48380	File E48380
Fed Spec W-C-596	Yes	Yes	Yes	Yes	Yes
Warranty					
Product Warranty	2 Year Limited	2 Year Limited	2 Year Limited	2 Year Limited	2 Year Limited

NAFTA Compliant Slim GFCI Duplex Receptacles

15 Amp & 20 Amp, 125 Volt

Features & Benefits:

All the advantages that have made SmartlockPro GFCIs a top brand – including reset lockout, dual function indicator light and superior noise immunity – plus:

- NAFTA Compliant versions – suitable for installation in a wide range of environments where compliance with the Buy American Act is desirable
- Color-matched wallplate included

Tamper-Resistant (TR)

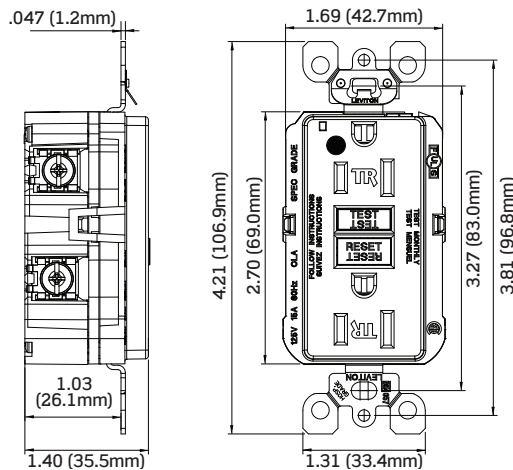
- Comply with NEC® Section 517.18C mandating that all 15A and 20A receptacles installed in pediatric locations be listed as tamper-resistant
- Shutter mechanism inside the receptacle blocks access to the contacts unless a two-prong plug is inserted



X7599-HFW



N7899-HFG



Typical for N7599, N7899, X7599 & X7899

Description		NAFTA Compliant Duplex Receptacles		NAFTA Compliant Tamper-Resistant Duplex Receptacles	
Amperage		15A	20A	15A	20A
NEMA Configuration		5-15R	5-20R	5-15R	5-20R
ORDER ID	Brown	N7599-HF	N7899-HF	X7599-HF	X7899-HF
	Ivory	N7599-HFI	N7899-HFI	X7599-HFI	X7899-HFI
	White	N7599-HFW	N7899-HFW	X7599-HFW	X7899-HFW
	Black	N7599-HFE	N7899-HFE	X7599-HFE	X7899-HFE
	Grey	N7599-HFG	N7899-HFG	X7599-HFG	X7899-HFG
	Lt Almond	N7599-HFT	N7899-HFT	X7599-HFT	X7899-HFT
	Red	N7599-HFR	N7899-HFR	X7599-HFR	X7899-HFR
AC Horsepower Ratings					
At Rated Voltage		1 Hp	1 Hp	1 Hp	1 Hp
Electrical Specifications					
Short Circuit Current Rating (SCCR)		10kA	10kA	10kA	10kA
Voltage Rating		125 Volt	125 Volt	125 Volt	125 Volt
Frequency		60Hz	60Hz	60Hz	60Hz
Feed-Thru Current Rating		20A	20A	20A	20A
Environmental Specifications					
Flammability		Rated V-0 per UL 94	Rated V-0 per UL 94	Rated V-0 per UL 94	Rated V-0 per UL 94
Operating Temperature		-35C to +66C	-35C to +66C	-35C to +66C	-35C to +66C
Material Specifications					
Face Material		Polyester	Polyester	Polyester	Polyester
Body Material		Polycarbonate	Polycarbonate	Polycarbonate	Polycarbonate
Terminal Screws		Plated Steel	Plated Steel	Plated Steel	Plated Steel
Grounding Screws		Plated Steel	Plated Steel	Plated Steel	Plated Steel
Strap		Galvanized Steel	Galvanized Steel	Galvanized Steel	Galvanized Steel
Clamps		Brass	Brass	Brass	Brass
Shutter Mechanism		—	—	Acetal	Acetal
Wallplate		Nylon Wallplate Included	Nylon Wallplate Included	Nylon Wallplate Included	Nylon Wallplate Included
Mechanical Specifications					
Terminal Accommodation – Solid & Stranded		14 to 10 AWG	14 to 10 AWG	14 to 10 AWG	14 to 10 AWG
Product ID		Ratings are permanently marked on the device	Ratings are permanently marked on the device	Ratings are permanently marked on the device	Ratings are permanently marked on the device
Performance Data					
Diagnostics		Dual Function LED Indicator	Dual Function LED Indicator	Dual Function LED Indicator	Dual Function LED Indicator
Trip Level		Class A, 5mA +/- 1mA	Class A, 5mA +/- 1mA	Class A, 5mA +/- 1mA	Class A, 5mA +/- 1mA
Standards & Certifications					
NEMA		WD-1 & WD-6	WD-1 & WD-6	WD-1 & WD-6	WD-1 & WD-6
ANSI		C-73	C-73	C-73	C-73
UL 498		File E13399	File E13399	File E13399	File E13399
CSA C22.2 No. 42		File LR-57811	File LR-57811	File LR-57811	File LR-57811
NOM		057	057	057	057
UL 943		File E48380	File E48380	File E48380	File E48380
Fed Spec W-C-596		Yes	Yes	Yes	Yes
Warranty					
Product Warranty		2 Year Limited	2 Year Limited	2 Year Limited	2 Year Limited

Self-Test & Guide Light Slim GFCI Duplex Receptacles

15 Amp & 20 Amp, 125 Volt

Features & Benefits:

All the advantages that have made SmartlockPro GFCIs a top brand – including reset lockout, dual function indicator light and superior noise immunity – plus:

Self-Test

- Automatically tests the GFCI every 15 minutes and alerts users if protection has been compromised (will not trip GFCI)
- Two indicator lights and an audible beep signal GFCI status

Tamper-Resistant (TR)

- Comply with NEC® Section 517.18C mandating that all 15A and 20A receptacles installed in pediatric locations be listed as tamper-resistant
- Shutter mechanism inside the receptacle blocks access to the contacts unless a two-prong plug is inserted

Guidelight

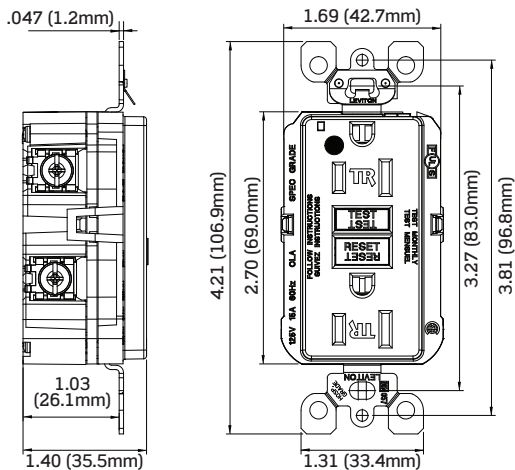
- Sensor provides automatic ON/OFF based on ambient lighting
- Dual lens provides visible light with a variety of plugs or transformers
- Custom designed lenses with edge-mounted LEDs improve light dispersion
- Energy-efficient - uses approximately 1-Watt of electricity (no bulbs to replace)
- Saves space by eliminating the need to use an outlet for a plug-in night light
- Wallplate not included



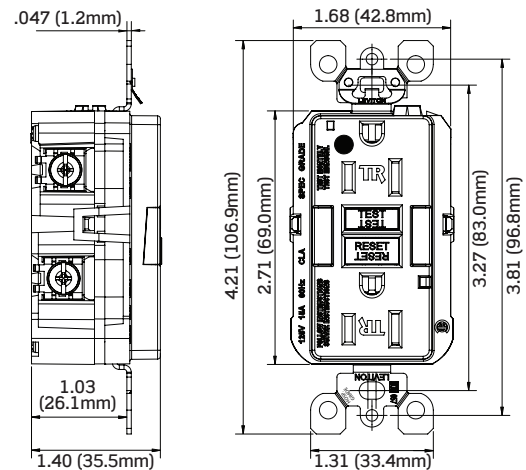
S7599-HGI



X7892-HGW



Typical for S7599, S7899



Typical for X7592, X7892

Description		Self-Test Tamper-Resistant Duplex Receptacles		Guidelight Tamper-Resistant Duplex Receptacles	
Amperage		15A	20A	15A	20A
NEMA Configuration		5-15R	5-20R	5-15R	5-20R
Order ID	Brown	S7599-HG	S7899-HG	X7592-HG	X7892-HG
	Ivory	S7599-HGI	S7899-HGI	X7592-HGI	X7892-HGI
	White	S7599-HGW	S7899-HGW	X7592-HGW	X7892-HGW
	Black	S7599-HGE	S7899-HGE	X7592-HGE	X7892-HGE
	Grey	S7599-HGG	S7899-HGG	X7592-HGG	X7892-HGG
	Lt Almond	S7599-HGT	S7899-HGT	X7592-HGT	X7892-HGT
	Red	S7599-HGR	S7899-HGR	X7592-HGR	X7892-HGR
AC Horsepower Ratings					
At Rated Voltage		1 Hp	1 Hp	½ Hp	1 Hp
Electrical Specifications					
Short Circuit Current Rating (SCCR)		10kA	10kA	2kA	2kA
Voltage Rating		125 Volt	125 Volt	125 Volt	125 Volt
Frequency		60Hz	60Hz	60Hz	60Hz
Feed-Thru Current Rating		20A	20A	20A	20A
Environmental Specifications					
Flammability		Rated V-0 per UL 94	Rated V-0 per UL 94	Rated V-0 per UL 94	Rated V-0 per UL 94
Operating Temperature		-35C to +66C	-35C to +66C	-35C to +66C	-35C to +66C
Material Specifications					
Face Material		Polyester	Polyester	Polyester	Polyester
Body Material		Polycarbonate	Polycarbonate	Polycarbonate	Polycarbonate
Terminal Screws		Plated Steel	Plated Steel	Plated Steel	Plated Steel
Grounding Screws		Plated Steel	Plated Steel	Plated Steel	Plated Steel
Strap		Galvanized Steel	Galvanized Steel	Galvanized Steel	Galvanized Steel
Clamps		Brass	Brass	Brass	Brass
Shutter Mechanism		Acetal	Acetal	Acetal	Acetal
Wallplate		Nylon Wallplate Included	Nylon Wallplate Included	Sold Separately	Sold Separately
Mechanical Specifications					
Terminal Accommodation – Solid & Stranded		14 to 10 AWG	14 to 10 AWG	14 to 10 AWG	14 to 10 AWG
Product ID		Ratings are permanently marked on the device	Ratings are permanently marked on the device	Ratings are permanently marked on the device	Ratings are permanently marked on the device
Performance Data					
Diagnostics		Dual LED Indicators & Audible Alert	Dual LED Indicators & Audible Alert	LED Indicator	LED Indicator
Trip Level		Class A, 5mA +/- 1mA	Class A, 5mA +/- 1mA	Class A, 5mA +/- 1mA	Class A, 5mA +/- 1mA
Standards & Certifications					
NEMA		WD-1 & WD-6	WD-1 & WD-6	WD-1 & WD-6	WD-1 & WD-6
ANSI		C-73	C-73	C-73	C-73
UL 498		File E13399	File E13399	File E13399	File E13399
CSA C22.2 No. 42		File LR-57811	File LR-57811	File LR-57811	File LR-57811
NOM		057	057	057	057
UL 943		File E48380	File E48380	File E48380	File E48380
Fed Spec W-C-596		Yes	Yes	Yes	Yes
Warranty					
Product Warranty		2 Year Limited	2 Year Limited	2 Year Limited	2 Year Limited

Weather-Resistant Slim GFCI Duplex Receptacles

15 Amp & 20 Amp, 125 Volt

Features & Benefits:

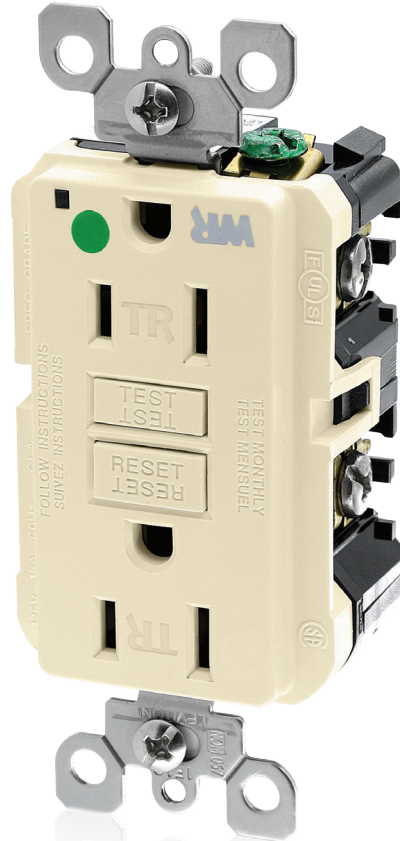
All the advantages that have made SmartlockPro GFCIs a top brand – including reset lockout, dual function indicator light and superior noise immunity – plus:

Weather-Resistant (WR)

- Designed for wet and damp locations to meet the requirements of NEC Section 406.8.
- Stainless steel strap and screws
- Conformal coated PC board to protect critical components from moisture
- Cold impact resistant face and buttons
- UV stabilized plastics

Tamper-Resistant (TR)

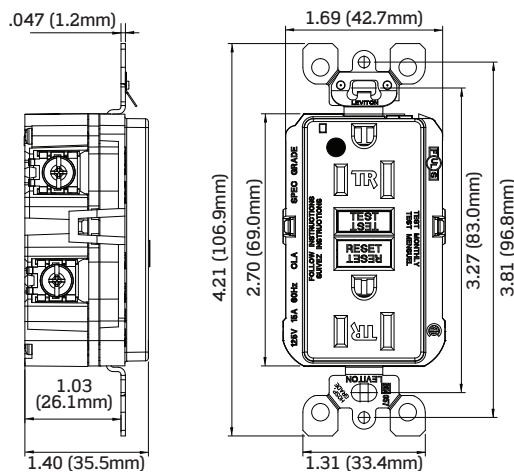
- Comply with NEC® Section 517.18C mandating that all 15A and 20A receptacles installed in pediatric locations be listed as tamper-resistant
- Shutter mechanism inside the receptacle blocks access to the contacts unless a two-prong plug is inserted



WT599-HGI



WT899-HGW



Typical for WT7599 & WT899

Description		Weather-Resistant/Tamper-Resistant Duplex Receptacles	
Amperage		15A	20A
NEMA Configuration		5-15R	5-20R
ORDER ID	Brown	*	*
	Ivory	WT599-HGI	WT899-HGI
	White	WT599-HGW	WT899-HGW
	Black	*	*
	Grey	*	*
	Lt Almond	*	*
	Red	*	*
AC Horsepower Ratings			
At Rated Voltage		1 Hp	1 Hp
Electrical Specifications			
Short Circuit Current Rating (SCCR)		10kA	10kA
Voltage Rating		125 Volt	125 Volt
Frequency		60Hz	60Hz
Feed-Thru Current Rating		20A	20A
Environmental Specifications			
Flammability		Rated V-0 per UL 94	Rated V-0 per UL 94
Operating Temperature		-35C to +66C	-35C to +66C
Material Specifications			
Face Material		Polyester	Polyester
Body Material		Polycarbonate	Polycarbonate
Terminal Screws		Stainless Steel	Stainless Steel
Grounding Screws		Stainless Steel	Stainless Steel
Strap		Stainless Steel	Stainless Steel
Clamps		Brass	Brass
Shutter Mechanism		Acetal	Acetal
Wallplate		Sold Separately	Sold Separately
Mechanical Specifications			
Terminal Accommodation – Solid & Stranded		14 to 10 AWG	14 to 10 AWG
Product ID		Ratings are permanently marked on the device	Ratings are permanently marked on the device
Performance Data			
Diagnostics		LED Indicator	LED Indicator
Trip Level		Class A, 5mA +/- 1mA	Class A, 5mA +/- 1 mA
Standards & Certifications			
NEMA		WD-1 & WD-6	WD-1 & WD-6
ANSI		C-73	C-73
UL 498		File E13399	File E13399
CSA C22.2 No. 42		File LR-57811	File LR-57811
NOM		057	057
UL 943		File E48380	File E48380
Fed Spec W-C-596		Yes	Yes
Warranty			
Product Warranty		2 Year Limited	2 Year Limited

* Available upon request; minimum order quantities apply

Industrial Wiring Devices for the Health Care Industry

Hospital Grade (HG)	HG Tamper Resistant	HG Power Indication
 <ul style="list-style-type: none"> ■ 15-20 Amp Duplex and Single Configurations ■ Interlocking Thermoplastic Nylon Cover & Body ■ Permanent "Green Dot" Marked on Face ■ Nickel-Plated Brass Strap with Integral Ground Contacts ■ Back & Side Wired Ground Termination <p>8300-R</p>	 <ul style="list-style-type: none"> ■ Mechanical Tamper-Resistant Safety Shutters provide NEC Article 517 compliance ■ Approved for Emergency Circuits & Pediatric/Patient Care Areas ■ Impact-Resistant Nylon Construction ■ Nickel-Plated Strap <p>8300-SGI</p>	 <ul style="list-style-type: none"> ■ 15-20 Amp Configurations ■ 100,000 Hr. Green LED Power Status Indicator ■ Permanent "Green Dot" Lens ■ Suitable for Critical Care Areas and Emergency Circuits ■ Nickel-Plated Brass Strap with Integral Ground Contacts <p>8300-PLW</p>
HG Four-In-One	HG Lev-Lok Illuminated	Plugs & Connectors
 <ul style="list-style-type: none"> ■ 15-20 Amp Configurations ■ Surge & IG Versions Available ■ Thermoplastic Nylon Face & Body ■ Universal Mounting <p>8490-IGG</p>	 <ul style="list-style-type: none"> ■ Modular Wiring System Provides Quick & Safe Installation ■ Available in Both Decora Plus™ & Traditional Platforms ■ Nickel-Plated Brass Strap with Integral Ground Contacts ■ Distinctive Green LED Illuminated Blade Slots for Easy Power Indication ■ Impact-Resistant Thermoplastic Nylon Construction <p>MT163-ILR</p>	 <ul style="list-style-type: none"> ■ Hospital Grade 15 & 20 Amp Straight & Angle Devices ■ HG Power Indication Plugs & Connectors ■ 20 Amp Hospital Grade Power Interrupting Devices ■ 15-60 Amp NEMA & Non-NEMA Straight Blade Devices ■ 15-30 Amp NEMA & Non-NEMA Locking Devices <p>8319-C & 8215-C</p>
Surge Protection	Medical Grade Surge Strips	Surge Panels
 <ul style="list-style-type: none"> ■ Hospital Grade 15-20 Amp Duplex & Single Configurations ■ Surge & IG Versions ■ Audible & Visual Protection Status Alarms ■ Back & Side Wired ■ Thermoplastic Nylon Cover & Body <p>8380-IGO</p>	 <ul style="list-style-type: none"> ■ Multiple Outlet & Cord Configurations ■ Hospital Grade Plugs & Receptacles with Tamper-Resistant Shutters & Safety Covers ■ UL 1449 3rd Edition, UL 60601-1 & UL 60950-1 Compliant ■ Heavy Duty Steel Construction ■ Built-in Overload Protection <p>5304M-1S5</p>	 <ul style="list-style-type: none"> ■ Protection at Facility Service Entrance ■ Advanced Diagnostics for Monitoring Trends in Surge Events on LCD Display ■ Models Available for Generator Transfer Switch, Panelboard & Dedicated Equipment Applications <p>75277-7M3</p>

Leviton Manufacturing Co., Inc.

201 North Service Road, Melville, NY 11747
 Phone: 1-800-323-8920 ■ Fax: 1-800-832-9538
 Tech Line (8:30AM-7:00PM E.S.T. Mon-Fri): 1-800-824-3005

Leviton Manufacturing of Canada, Ltd.

165 Hymus Boulevard, Pointe Claire, Quebec H9R 1E9
 Phone: 1-800-469-7890 ■ Fax: 1-800-563-1853

Leviton S. de R.L. de C.V.

Lago Tana 43, Mexico DF, Mexico CP 11290
 Phone: (+52) 55-5082-1040 ■ www.leviton.com.mx

Visit us on the web at: www.leviton.com/industrial ■ email: industrial@leviton.com