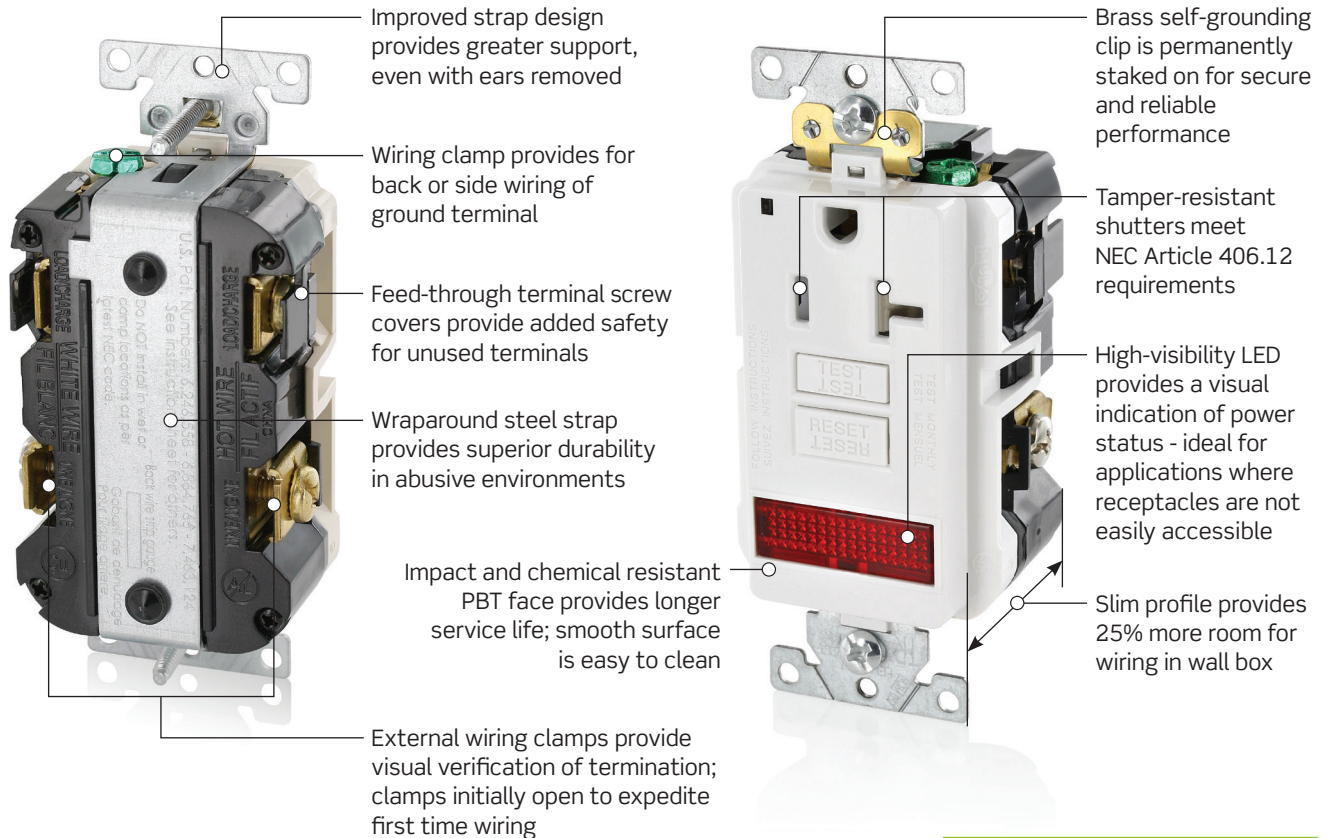


**Industry Exclusive!**

# Single GFCI Receptacles with Pilot Light

Ideal for equipment protection on dedicated branch circuits



Patented SmartlockPro® protection detects and prevents against line-load reversal miswiring, and prevents resetting when ground fault protection has been lost

**New Industrial Grade Platform!**

### Ordering Information

Description		15A	20A
COLOR	Brown	X7591-PL	X7891-PL
	Ivory	X7591-PLI	X7891-PLI
	White	X7591-PLW	X7891-PLW
	Black	X7591-PLE	X7891-PLE
	Gray	X7591-PLG	X7891-PLG
	Lt. Almond	X7591-PLT	X7891-PLT
	Red	X7591-PLR	X7891-PLR

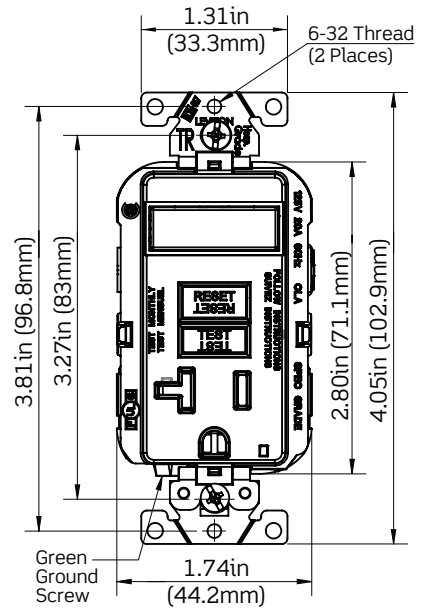
### Common Applications

- Commercial Kitchens
- Vending Areas
- Food Preparation Areas
- Manufacturing Plants

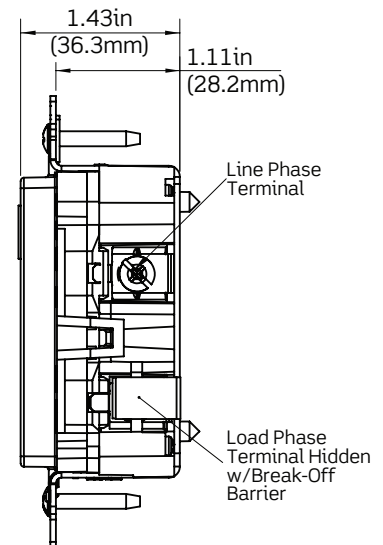
## Specifications

Description	Combination Pilot Light/Single Receptacles
<b>AC Horsepower Rating</b>	
At Rated Voltage	1 HP
<b>Electrical Specifications</b>	
Amperage	15A or 20A
Voltage	125VAC
NEMA	5-15R or 5-20R
Grounding	Self Grounding
Pole	2
Wire	3
Dielectric Voltage	Withstands 1250VAC per UL 943 and CSA-C22.2 No. 144.1-06
Short Circuit Current Rating	10kA
Trip Level	Class A, 5mA plus or minus 1mA
Temperature Rise	Max 30 °C after 250 cycles OL at 200 percent rated current
<b>Environmental Specifications</b>	
Flammability	Rated V-0 per UL94
Relative Humidity	20% to 90% non-condensing
Operating Temperature	-35 °C to 66 °C
<b>Material Specifications</b>	
Face Material	PBT
Body Material	Polycarbonate
Line Contacts	Brass
Mounting Screws	Plated Steel
Grounding Screw	Plated Steel
Strap Material	Galvanized Steel
Ground Clip	Brass
<b>Mechanical Specifications</b>	
Terminal ID	Brass-Hot, Silver-Neutral, Green-Ground
Terminal Accom.	14-10 AWG solid or stranded
Product ID	Ratings permanently marked on device
Termination	Back or Side Wiring
<b>Standards &amp; Certifications</b>	
NEMA	WD-1 & WD-6
ANSI	C-73
Certification/Listing	UL, CSA, NOM-ANCE
Applicable Standards	UL 498 and 943, CSA C22.2 Nos. 42 and 144, FedSpec W-C-596
<b>Guarantees</b>	
Product Warranty	2 Year Limited

## Dimensions



Front View



Side View

Visit our Website at:  
[www.leviton.com/industrial](http://www.leviton.com/industrial)  
 email: [industrial@leviton.com](mailto:industrial@leviton.com)

Q-900

### Leviton Manufacturing Co., Inc.

201 N Service Rd, Melville, NY 11747  
 Telephone: 1-800-323-8920 • FAX: 1-800-832-9538  
 Tech Line (8:30AM-7:30PM E.S.T. Monday-Friday): 1-800-824-3005

© 2014 Leviton Manufacturing Co., Inc. All rights reserved.

052014

