

# Antimicrobial Treated Devices

Introducing our new antimicrobial treated switches and wallplates

These devices are made with an antimicrobial additive that helps protect them from the growth of harmful bacteria.

### Wallplate Features

Stainless Steel wallplate protected with antimicrobial polyurethane powder coating

Mounting screws protected with antimicrobial polyurethane powder coating

Available in single- or double-gang configurations

Powder coating resists fingerprints and has been tested to ISO 7784.2 for durability

### Switch Features

20A, 120/277V AC

Toggle material embedded with silver ion antimicrobial additive

Available in single pole and three-way functionalities



### Common Applications

- Healthcare Facilities
- Educational Institutions
- Hospitality Facilities
- Commercial Kitchens
- Nurseries
- Bathrooms

\*Switch and wallplate sold separately

### Ordering Information

Toggle Switches		
Description	Cat. No.	Color
Single Pole	A1221-2W	White
	A1221-2I	Ivory
3-Way	A1223-2W	White
	A1223-2I	Ivory

Wallplates		
Description	Cat. No.	Color
1-Gang Toggle	84001-A40	Clear (Stainless Steel)
2-Gang Toggle	84009-A40	Clear (Stainless Steel)

### Custom Engraving Available

Visit [www.leviton.com/antimicrobial](http://www.leviton.com/antimicrobial)

Antimicrobial Treated Devices from Leviton are manufactured by incorporating silver ions (Ag+) as the antimicrobial agent in the product material. This material has been tested to show a consistent [3 log (>99.9%)] microbial reduction rate against a broad range of bacteria pursuant to the JIS Z 2801:2000 test protocol.

## Specifications

### Toggle Switches

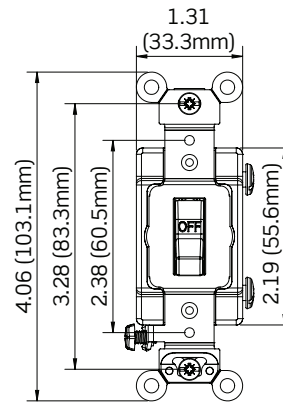
Catalog Number	Single Pole (A1221) & 3-Way Toggle (A1223)
<b>Electrical Specifications</b>	
Amperage	20A
Voltage	120/277V AC
Dielectric Voltage	Withstands 1500V for 1 minute
Overload UL 20	100 cycles of OL at 4.8 times rated current
Temperature Rise	Maximum 30° C rise
Endurance	50,000 cycles minimum
AC Horsepower Ratings	1 HP @ 120V, 2 HP @ 240V, 16A Max.
<b>Environmental Specifications</b>	
Flammability	UL 94 HB Flammability Rating
Operating Temperature	-40°C to 65°C
Storage Temperature	-40°C to 65°C
<b>Material Specifications</b>	
Base	Thermoplastic
Cover	Thermoplastic
Strap	.050" Thick Galvanized Steel
Toggle	Antimicrobial Urea
Contacts	Silver Alloy
Terminal Screws	Brass 8-32
Grounding Screw	Galvanized Steel 8-32
Ground Clip	Brass
<b>Mechanical Specifications</b>	
Terminal Accom.	#14-#10 AWG back wired; #14-#12 AWG side wired
Terminal Screw Torque Range	12-14 inch pounds
Terminal ID	Brass-Hot, Black-Hot, White-Neutral, Green-Gnd
Product ID	Ratings are permanently marked on device
<b>Standards &amp; Certifications</b>	
NEMA	WD-1, WD-6
UL Fed Spec WS896	File # E7458
UL Standard	UL 20
CSA C22.2 No 111	File # 152105
NOM	NOM-ANCE
JIS Z 2801:2000	Test for Antimicrobial Activity and Efficacy
ISO 22196	Measurement of Antibacterial Activity on Plastics and Other Non-Porous Surfaces
<b>Warranty</b>	
Product Warranty	10-Year Limited

### Wallplates

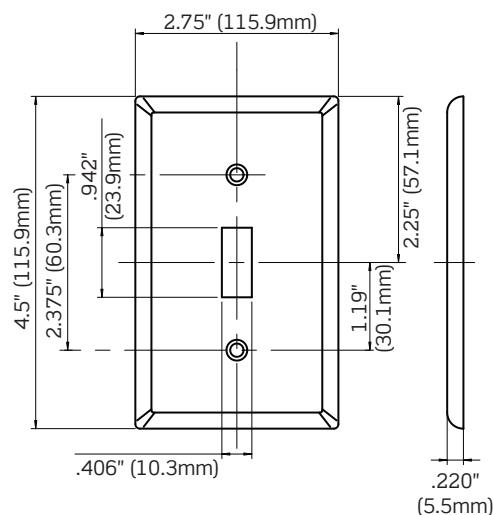
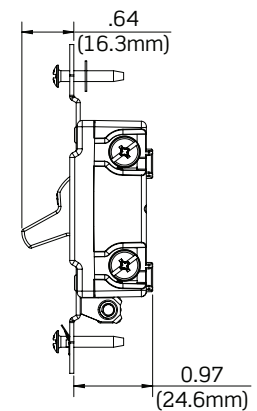
Catalog Number	1-Gang Toggle (84001) & 2-Gang Toggle (84009)
<b>Material Specifications</b>	
Material	Stainless Steel coated with Antimicrobial Polyurethane Powder Coating
<b>Standards &amp; Certifications</b>	
UL Standard	UL 514D
CSA	CSA C22.2 No. 42.1-13
JIS Z 2801:2000	Test for Antimicrobial Activity and Efficacy
ISO 22196	Measurement of Antibacterial Activity on Plastics and Other Non-Porous Surfaces
<b>Warranty</b>	
Product Warranty	10-Year Limited

### Dimensions

Front View



Side View



Visit our Website at:

[www.leviton.com/antimicrobial](http://www.leviton.com/antimicrobial)

email: [antimicrobial@leviton.com](mailto:antimicrobial@leviton.com)

Q-911

102114

**Leviton Manufacturing Co., Inc.**

201 N Service Rd, Melville, NY 11747

Telephone: 1-800-323-8920 • FAX: 1-800-832-9538

Tech Line (8:30AM-7:30PM E.S.T. Monday-Friday): 1-800-824-3005

© 2014 Leviton Manufacturing Co., Inc. All rights reserved.

