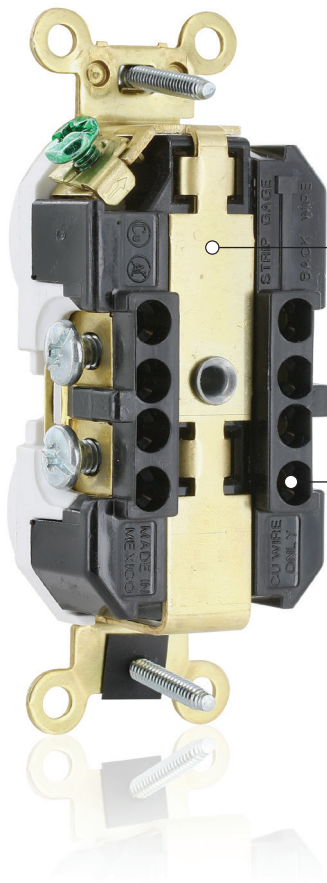


Industrial Grade Tamper-Resistant Duplex Receptacle 15 Amp & 20 Amp, 125 Volt

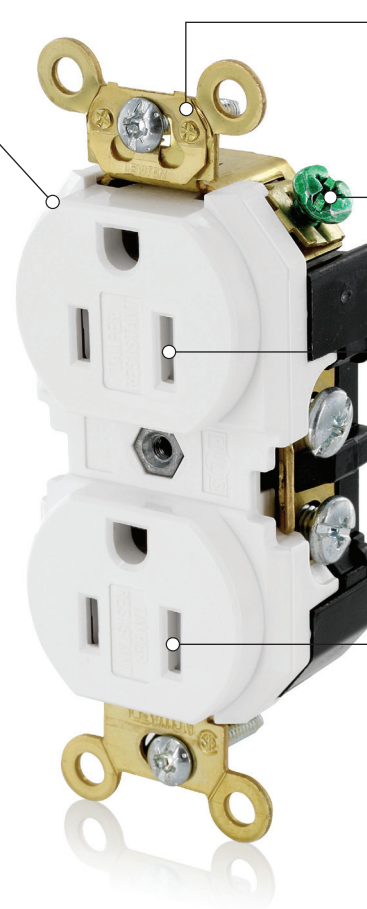
New
TR Offering!



Fed Spec rated for the most demanding environments

Single piece 0.050" thick brass strap with integral ground contacts provides superior durability in abusive environments

8 back-wiring holes provide flexibility in the electrical box



Brass self-grounding clip permanently staked on for secure and reliable performance

Wiring clamp provides for back or side wiring of ground terminal

Triple-Wipe 0.040" thick high performance brass alloy contacts provide better electrical performance

Tamper-resistant shutters meet NEC Article 406.12 requirements

Ordering Information

Description		15A	20A
COLOR	Brown	5262-SG	5362-SG
	Ivory	5262-SGI	5362-SGI
	White	5262-SGW	5362-SGW
	Black	5262-SGE	5362-SGE
	Gray	5262-SGG	5362-SGG
	Red	5262-SGR	5362-SGR

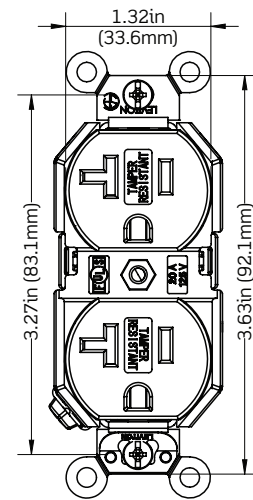
Common Applications

- Industrial Facilities
- Institutional Facilities
- Transportation Facilities
- Commercial Facilities

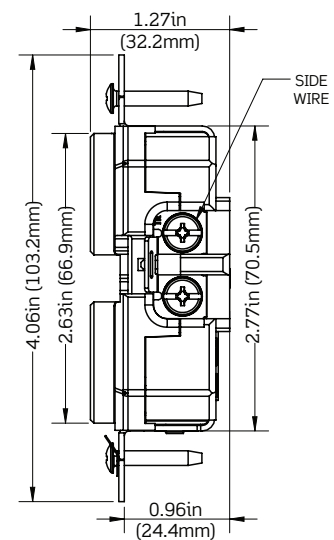
Specifications

Description	5262-SG	5362-SG
AC Horsepower Rating		
At Rated Voltage	½ Hp	1 Hp
Electrical Specifications		
Amperage	15A	20A
Voltage	125V	125V
NEMA	5-15R	5-20R
Grounding	Self-Grounding	Self-Grounding
Pole	2	2
Wire	3	3
Dielectric Voltage	Withstands 2000V per UL 498	Withstands 2000V per UL 498
Temperature Rise	Max 30 °C after 250 cycles OL at 200 percent rated current	Max 30 °C after 250 cycles OL at 200 percent rated current
Environmental Specifications		
Flammability	Rated V-2 per UL94	Rated V-2 per UL94
Operating Temperature	-40 °C to 75 °C	-40 °C to 75 °C
Material Specifications		
Face Material	Nylon	Nylon
Body Material	Nylon	Nylon
Line Contacts	Triple-Wipe 0.040" High Performance Brass Alloy	Triple-Wipe 0.040" High Performance Brass Alloy
Terminal Clamp	Zinc-Plated Steel	Zinc-Plated Steel
Terminal Screws	Brass 10-32	Brass 10-32
Grounding Screws	Brass 8-32	Brass 8-32
Strap Material	Brass 0.050"	Brass 0.050"
Ground Clip	Brass	Brass
Mechanical Specifications		
Terminal ID	Brass-Hot, Green-Ground, Silver-Neutral	Brass-Hot, Green-Ground, Silver-Neutral
Terminal Accom.	14-10 AWG	14-10 AWG
Wire Types	Solid or stranded	Solid or stranded
Product ID.	Ratings are permanently marked on device	Ratings are permanently marked on device
Termination	Back & side wiring, 8 back-wiring holes	Back & side wiring, 8 back-wiring holes
Standards & Certifications		
NEMA	WD-1 and WD-6	WD-1 and WD-6
ANSI	C-73	C-73
Certification/Listing	UL, CSA, NOM-ANCE	UL, CSA, NOM-ANCE
Applicable Standards	UL 498, CSA C22.2 No. 42, FedSpec W-C-596	UL 498, CSA C22.2 No. 42, FedSpec W-C-596
Guarantees		
Product Warranty	10-Year Limited	10-Year Limited

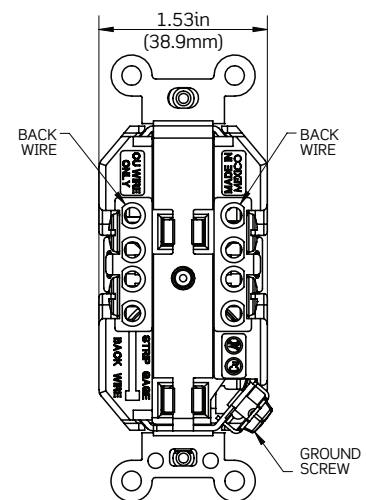
Dimensions



Front View



Side View



Back View

Visit our Website at:
www.leviton.com/industrial
 email: industrial@leviton.com

Q-904

Leviton Manufacturing Co., Inc.

201 N Service Rd, Melville, NY 11747
 Telephone: 1-800-323-8920 • FAX: 1-800-832-9538
 Tech Line (8:30AM-7:30PM E.S.T. Monday-Friday): 1-800-824-3005

© 2014 Leviton Manufacturing Co., Inc. All rights reserved.

052314

