

## 30 Amp AC Toggle Switches

Extra Heavy Duty Specification Grade



Leviton's Industrial Grade AC toggle switches for extra heavy-duty applications represent top-of-the-line quality and peak performance. This makes them ideal for use in switching power to boilers, dehumidifiers, air purifiers, portable heaters and more.

### Features and Benefits

- Rugged thermoplastic housing and toggle that has high-impact strength and withstands elevated operating temperatures
- Heavy gauge, anti-corrosive mounting strap for maximum durability and service life
- Large silver alloy contacts for long life that also prevent sticking, welding and excessive pitting
- Heavy-gauge copper alloy, one-piece contact and toggle cam arm provides smooth, firm toggle action for "fast-make" and "slow-break" operation.



## Ordering Information and Technical Specifications

		Single Pole			Double Pole		
		Standard Toggle	Pilot Light	Tamper Resistant*	Standard Toggle	Pilot Light	Tamper Resistant*
Toggle Color	Brown	3031-2	—	3031-2L	3032-2	—	3032-2L
	Ivory	3031-2I	—	—	3032-2I	—	—
	White	3031-2W	—	—	3032-2W	—	—
	Black	—	—	—	3032-2E	—	—
	Red	—	3031-PLR	—	3032-2R	3032-PLR	—
	Clear	—	3031-PLC	—	—	3032-PLC	—
<b>AC Horsepower Ratings</b>							
At Rated Voltage	2@120/240V 24 Amp Max.	2@120V 24 Amp Max.	2@120/240V 24 Amp Max.	2@120/240V 24 Amp Max.	2@120V 24 Amp Max.	2@120/240V 24 Amp Max.	2@120/240V 24 Amp Max.
<b>Material Specifications</b>							
Dome	N/A	N/A	Nylon	N/A	N/A	N/A	Nylon
Base	Polyester						
Cover	Nylon						
Strap	0.050" Thick Galvanized Steel						
Toggle	Polycarbonate						
Contacts	Silver Alloy						
Terminal screws	#10-32 triple drive Brass combo head						
Grounding Screw	#8-32 triple drive Steel combo head						
Ground Clip	Brass						
<b>Electrical Specifications</b>							
Voltage	120/277V AC	120V AC	120/277V AC	120/277V AC	120V AC	120/277V AC	120/277V AC
Amperage	30A						
Dielectric Voltage	Withstands 1500V for 1 minute						
Overload UL 20	100 cycles at 4.8 times rated current						
Temperatures Rise	30°C Max. at full rated current						
Endurance	50,000 cycles min.						
<b>Environmental Specifications</b>							
Flammability	UL94 V-2						
Operating Temperature	-40°C to 65°C						
<b>Mechanical Specifications</b>							
Terminal Accommodation	#14-#10 AWG back and side wired						
Terminal Screw Torque Range	14-16 inch pound						
Terminal ID	Black-Line Brass-Load Silver-Neutral Green-Grounding						
Product ID	Ratings are permanently marked on device						
<b>Standards and Certifications</b>							
NEMA	WD-1 & WD-6						
UL Fed Spec W-S-896	E7458						
UL 20	E7458						
CSA C22.2 No 111	152105						
NOM	057						
RoHS	Compliant						
<b>Warranty</b>							
Warranty	10-Year Limited						

\*Key for Tamper Resistant Switch Cat. #55500-PRT

### Leviton Manufacturing Co., Inc.

201 North Service Road, Melville, NY 11747

Telephone: 1-800-323-8920 • Fax: 1-800-832-9538 • Tech Line (8:30AM-7:00PM E.S.T. Monday-Friday): 1-800-824-3005

### Leviton Manufacturing of Canada, Ltd.

165 Hymus Blvd, Pointe-Claire, QC H9R 1E9

Telephone: 1-800-469-7890 • Fax: 1-800-563-1853

### Leviton S. de R.L. de C.V.

Lago Tana 43, Col. Huichapan, Miguel Hidalgo, CP 11290 México DF

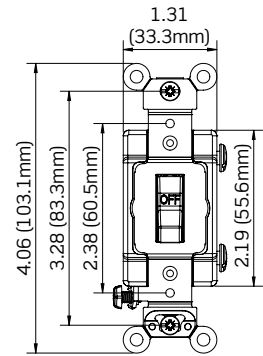
Telephone: (+52) 55-5082-1040 • Fax: (+52) 55-5386-1797 • www.leviton.com.mx

Visit our Website at: [www.leviton.com/industrial](http://www.leviton.com/industrial) email: [industrial@leviton.com](mailto:industrial@leviton.com)

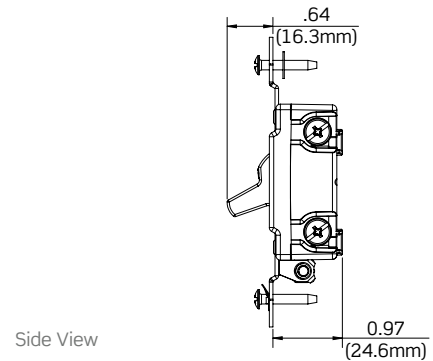
© 2012 Leviton Manufacturing Co., Inc. All rights reserved.

## Dimensional Drawings

Typical for  
Standard  
Toggle &  
Pilot Light  
Switches

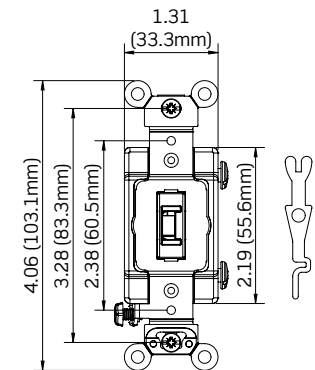


Front View

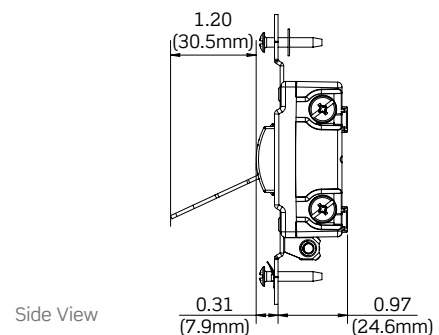


Side View

Typical for  
Tamper  
Resistant  
Switches



Front View



Side View



041513 Q-776A