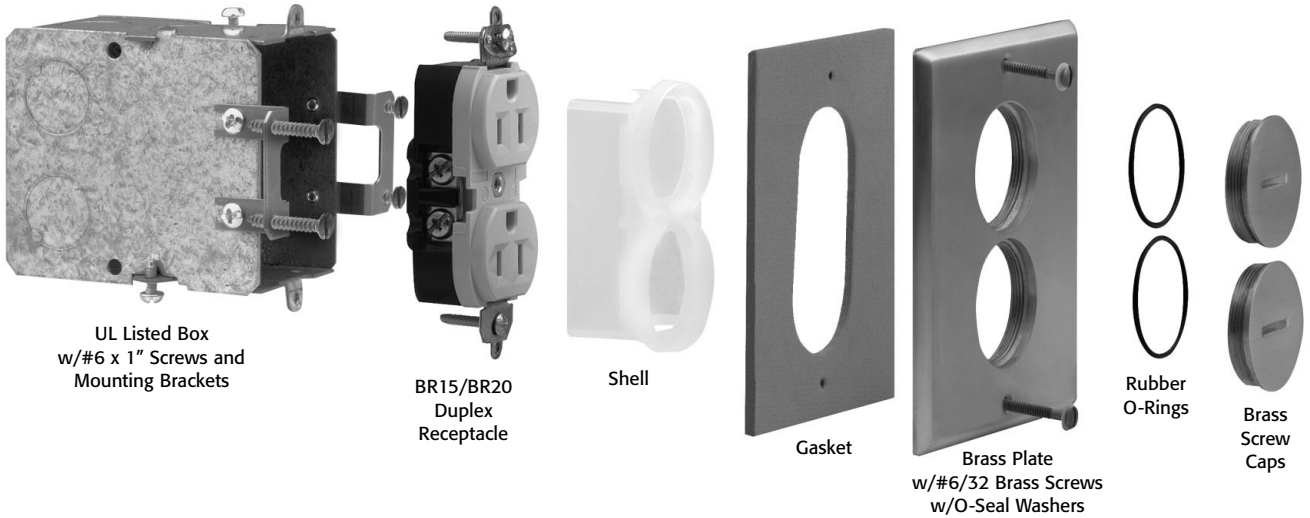




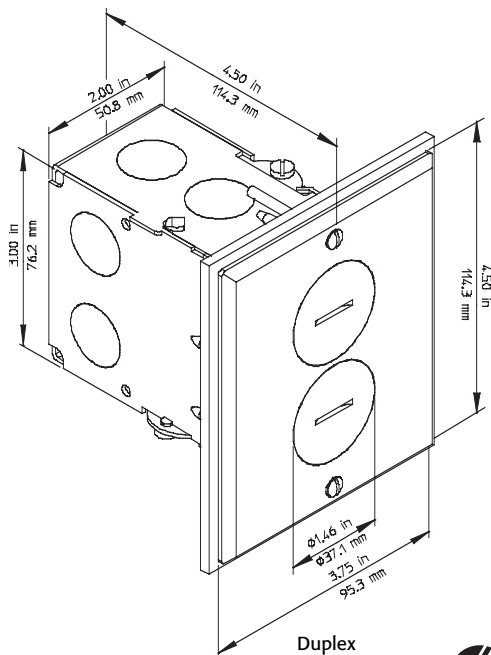
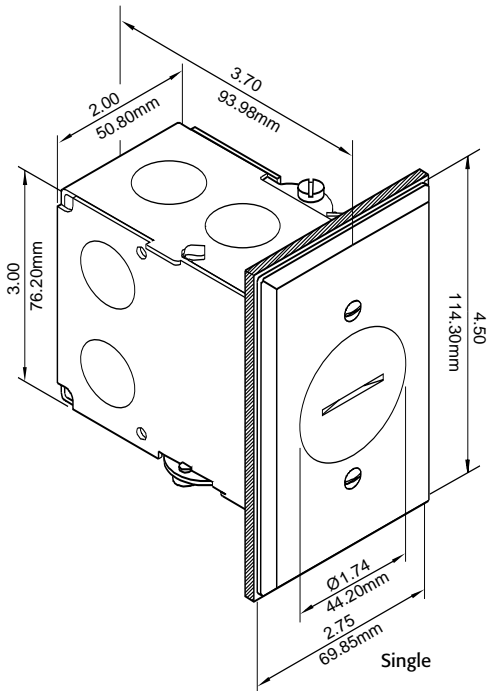
Commercial Specification Grade 15 and 20 Ampere 2-Pole, 3-Wire Grounding Floor Box Receptacle Assembly



APPLICATION:

These devices are suitable for in-floor installation in accordance with the National Electrical Code article 314.27(c). They meet all of the requirements of Underwriters Laboratories 514A standard, 2004 revision, for Metal Floor Boxes in wood floor and commercial (3/8" thick) carpet installations.

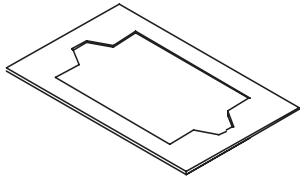
Description	Color	15A-125V NEMA 5-15R 	20A-125V NEMA 5-20R 
Single Floor Box Assembly	Brass	5249-FBA	5349-FBA
Replacement Cap (Single)	Brass	5249-CAP	5249-CAP
Duplex Floor Box Assembly	Brass	25249-FBA	25349-FBA
Replacement Cap (Duplex)	Brass	25249-CAP	25249-CAP



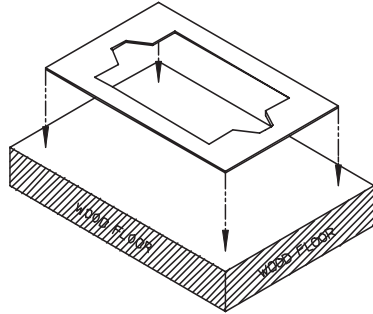
Floor Box Receptacle Assembly

Floor Box Assembly Instruction

(Abridged Version)

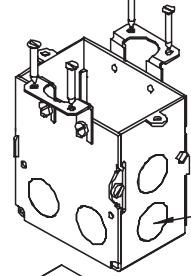


USE TEMPLATE SHEET TO CUT AN OPENING ON FLOOR TO MOUNT FLOOR BOX



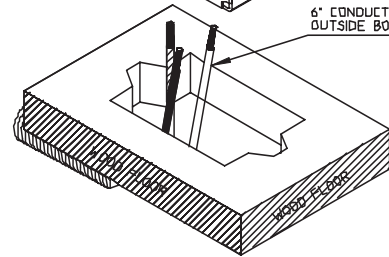
1.- MARK DESIRED LOCATION FOR BOX.

(4) WOOD SCREWS

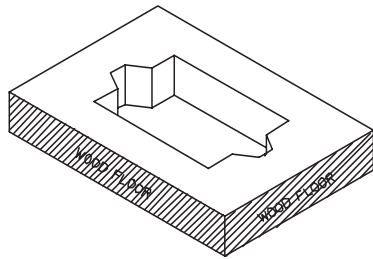


(9) KNOCKOUT

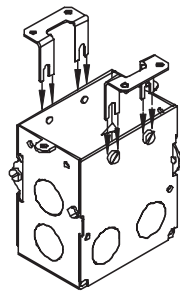
6" CONDUCTORS
OUTSIDE BOX.



3.- REMOVE DESIRED KNOCKOUT IN BOX, AND PULL CONDUCTORS THROUGH OPENING, LEAVING 6" LENGTH OUTSIDE BOX.
4.- SECURE BOX WITH FOUR (4) # 6 X 3/4" SCREWS.

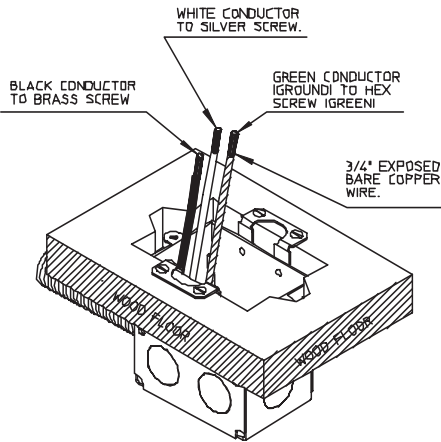


2.- CUT AN OPENING FOR MOUNTING OF BOX.

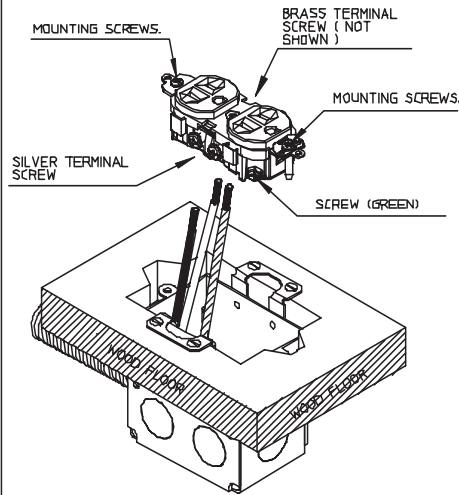


MOUNT BRACKETS TO BOX. TIGHTEN SCREWS FIRMLY

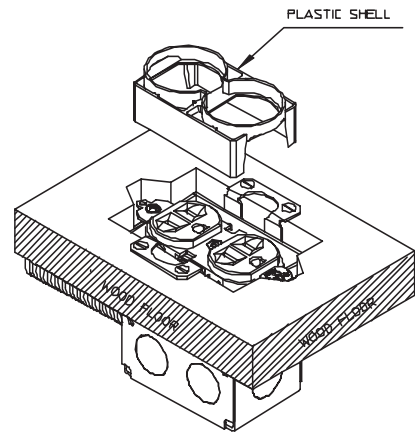
SCALE 0.625



5.- REMOVE INSULATION ON EACH CONDUCTOR END ABOUT 3/4" TO EXPOSE BARE COPPER WIRE.



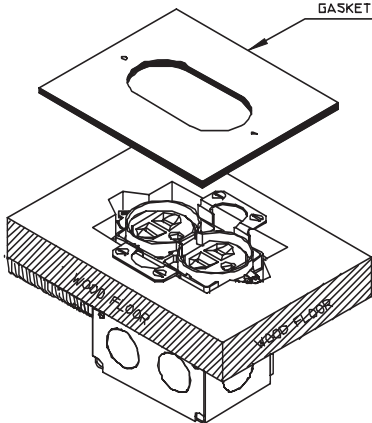
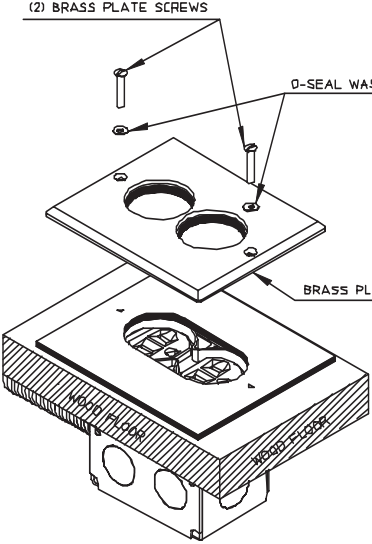
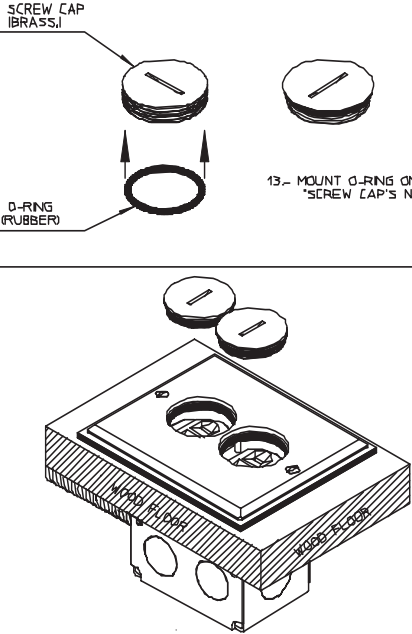
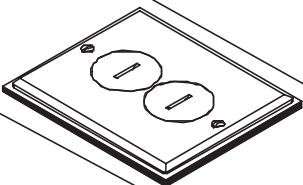
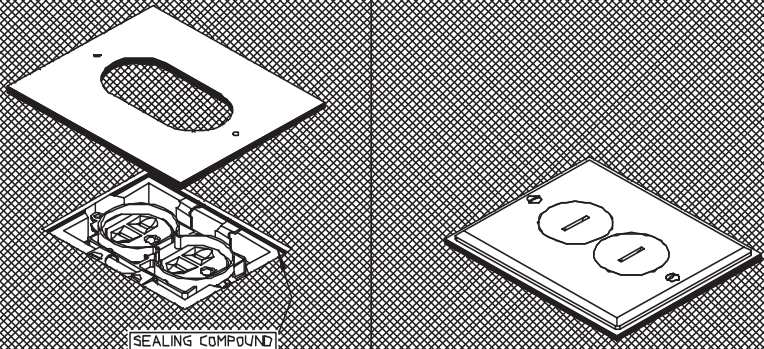
6.- CONNECT WIRES AS FOLLOWS: BLACK CONDUCTOR TO BRASS SCREW, WHITE CONDUCTOR TO WHITE SCREW, AND GREEN OR BARE (GROUND) CONDUCTOR TO GREEN HEX SCREW. WRAP EACH CONDUCTOR 3/4 TURN CLOCKWISE AROUND EACH TERMINAL SCREW. TIGHTEN SCREWS FIRMLY. BE SURE TO CLIP OFF ANY LOOSE WIRE STRANDS. TERMINAL SCREWS ACCEPT UP TO # 10AWG* COPPER OR COPPER-CLAD WIRE.



7.- MOUNT RECEPTACLE IN THE ELECTRICAL BOX. TIGHTEN THE MOUNTING SCREWS TO THE STRAP.
8.- PLACE THE PLASTIC SHELL OVER THE RECEPTACLE.

Floor Box Assembly Instructions

(Abridged Version)

 <p>GASKET</p> <p>9.- PLACE GASKET OVER BOX, COVERING ALL COMPONENTS.</p>	 <p>(2) BRASS PLATE SCREWS</p> <p>O-SEAL WASHERS</p> <p>BRASS PLATE</p> <p>10.- ASSEMBLE BRASS PLATE SCREWS BY INSERTING SCREWS THROUGH O-SEAL WASHERS</p> <p>11.- PLACE BRASS PLATE ASSEMBLY OVER GASKET, AND TIGHTEN BRASS SCREWS ONTO STRAP.</p> <p>12.- MAKE SURE GASKET IS ALL AROUND OUTSIDE EDGE OF BRASS PLATE.</p>	 <p>SCREW CAP (BRASS)</p> <p>O-RING (RUBBER)</p> <p>13.- MOUNT O-RING ONTO 'SCREW CAP'S NECK.'</p> <p>14.- MOUNT SCREW CAP ASSEMBLY ONTO BRASS PLATE. (SEE NOTE # 3.)</p>
 <p>WOOD FLOOR</p> <p>15.- INSTALLATION IS COMPLETE.</p>	 <p>SEALING COMPOUND</p> <p>FLOOR BOX INTENDED FOR USES IN INDUSTRIAL CARPET THICKNESS ONLY</p> <p>SEALING COMPOUND MUST BE USED AROUND THE PERIMETER OF THE FLOOR BOX OR COVER FLANGE. (SEALING COMPOUND NOT PROVIDED.)</p>	

NOTES:

- 1.- TO GAIN ACCESS TO THE RECEPTACLE, UNSCREW THE SCREW CAP COUNTER-CLOCKWISE.
- 2.- WHEN THE RECEPTACLE IS NOT USED, LEAVE THE SCREW CAP IN.
- 3.- IT IS RECOMMENDED TO USE 'ALL PURPOSE LUBRICANT' AROUND O-RING WHEN PLUG IS SCREWED ON PLATE. (LUBRICATION NOT PROVIDED)

Product Specifications

Floor Box Receptacle Assembly

SPECIFICATIONS

Straight Blade 15 Amp and 20 Ampere 2-pole, 3-wire grounding floor box receptacle assemblies shall be Leviton,

Underwriters Laboratories 514A Listed (2004 Revision) and CSA Certified for wood floor and carpet installations.

FEATURES AND BENEFITS

Duplex and Single

- All-in-one ready-to-wire unit provides quick, easy installation
- Plate gasket and O-ring combine to seal out moisture and air-borne particles
- Brass plate and screw cap resist abuse and prevent foreign contaminants from entering device
- Duplex: 0.060" thick solid brass plate with satin finish (25249-FBA, 25349-FBA)

- Receptacle constructed with impact-resistant thermoplastic cover and body
- Brass screw cap threaded to fit flush to plate
- Green grounding screw for side wiring receptacle
- Dual drive pins and center bushing for sturdy duplex receptacle assembly (25249-FBA, 25349-FBA)
- Large, triple-wipe brass "T" contacts for superior contact pressure, outstanding conductivity
- Supplied with 18 cubic inch box and brass cap with satin finish

PERFORMANCE SPECIFICATIONS

Electrical	
Dielectric Voltage Withstand:	2000V minimum
Maximum Working Voltage	125V as rated
Current Interrupting:	Certified for current interrupting at full-rated current
Temperature Rise:	Maximum 30°C temperature rise at full-rated current after 50 cycles of overload at 150% of rated current
Mechanical	
Terminal Identification	Terminals identified in accordance with UL 498 (brass, white and green)
Terminal Accommodation	#14 through #10 AWG copper and copper clad
Product Identification:	Ratings are a permanent part of device housing
Plate Screws:	#6-32, 1-1/2" long, steel with brass plating
Environmental	
Flammability	Rated V2
Operating Temperature maximum continuous	From -40°C (without impact) to 60°



2 YEAR LIMITED WARRANTY

CODE COMPLIANCE

The assemblies listed herein meet UL 514A, UL File #E92327, CSA No. #C22.2 No. 18.1 and Mexican NOM standards. They meet or exceed NEMA WD6 and ANSI standards. These receptacles are suitable for use in accordance with federal, state, county, municipal and local codes.



Leviton Manufacturing Co., Inc.
59-25 Little Neck Parkway, Little Neck, NY 11362-2591 • 1-800-823-8920 • Tech Line: 1-800-824-3005 • FAX: 1-800-832-9538

Visit our Website at: www.leviton.com

©2004 Leviton Manufacturing Co., Inc. All Rights Reserved



C-670A/I4-rd