
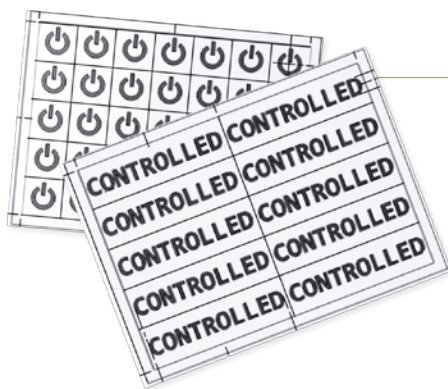


# Controlled Receptacle Marking

To comply with 2014 NEC Article 406.3(E)

To meet the requirements for identifying receptacles that will be automatically de-energized as part of an overall plug load control program, the 2014 National Electrical Code requires all 15A & 20A, 125V receptacles that are automatically controlled to be marked with a specific symbol .

Leviton offers two solutions to help comply with the new marking regulations:



## Wallplate Decals

For the most economical retrofit application, these decals allow you to mark existing receptacle wallplates with the required symbol, and the word "CONTROLLED" (optional) for easy identification. Decals use a UL approved material for marking and labeling. 70 decals of each/pk.

Cat No: CRLAB

## Imprinted Receptacles

For new construction and renovation applications, custom imprinting directly on the receptacle is available for our most popular specification grade receptacles, both standard tamper-resistant and Decora® platforms



## Ordering Information

Description		Standard (Tamper-Resistant)				Decora			
		15A		20A		15A		20A	
ORDER ID	Marking Location	Single*	Double**	Single*	Double**	Single*	Double**	Single*	Double**
	Brown	5262-1P	5262-2P	5362-1P	5362-2P	16252-1P	16252-2P	16352-1P	16352-2P
	Ivory	5262-1PI	5262-2PI	5362-1PI	5362-2PI	16252-1PI	16252-2PI	16352-1PI	16352-2PI
	White	5262-1PW	5262-2PW	5362-1PW	5362-2PW	16252-1PW	16252-2PW	16352-1PW	16352-2PW
	Black	5262-1PE	5262-2PE	5362-1PE	5362-2PE	16252-1PE	16252-2PE	16352-1PE	16352-2PE
	Gray	5262-1PG	5262-2PG	5362-1PG	5362-2PG	16252-1PG	16252-2PG	16352-1PG	16352-2PG
	Lt. Almond	5262-1PT	5262-2PT	5362-1PT	5362-2PT	16252-1PT	16252-2PT	16352-1PT	16352-2PT
	Red	5262-1PR	5262-2PR	5362-1PR	5362-2PR	16252-1PR	16252-2PR	16352-1PR	16352-2PR
	Blue	5262-1PB	5262-2PB	5362-1PB	5362-2PB	16252-1PB	16252-2PB	16352-1PB	16352-2PB

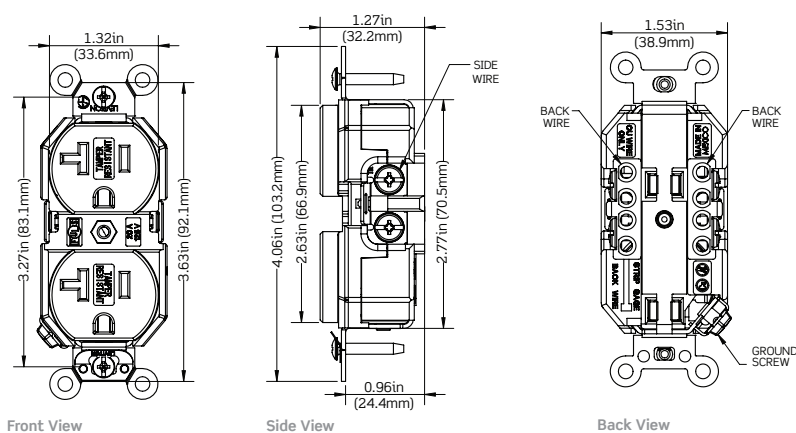
\* Single = split-circuit - break-off tab removed on 'hot' terminal; control marking on 1 outlet

\*\* Double = no break-off tabs removed; control marking for both outlets

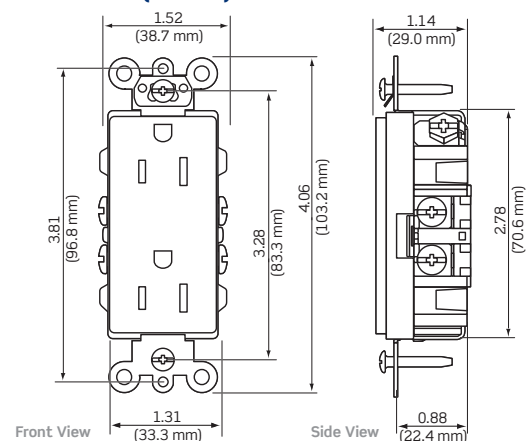
## Specifications

Description	Standard (Tamper-Resistant)		Decora	
	15A	20A	15A	20A
<b>AC Horsepower Rating</b>				
At Rated Voltage	½ Hp	1 Hp	½ Hp	1 Hp
<b>Electrical Specifications</b>				
NEMA	5-15R	5-20R	5-15R	5-20R
Voltage	125V		125V	
Grounding	Self-Grounding		Self-Grounding	
Pole	2		2	
Wire	3		3	
Dielectric Voltage	Withstands 2000V per UL 498		Withstands 2000V per UL 498	
Temperature Rise	Max 30 °C after 250 cycles OL at 200 percent rated current		Max 30 °C after 100 cycles OL at 150 percent rated current	
<b>Environmental Specifications</b>				
Flammability	Rated V-2 per UL94		Rated V-2 per UL94	
Operating Temperature	-40 °C to 75 °C		-40 °C to 75 °C	
<b>Material Specifications</b>				
Face Material	Nylon		Nylon	
Body Material	Nylon		Nylon	
Line Contacts	Triple-Wipe 0.040" High Performance Brass Alloy		Triple-Wipe 0.031" Brass	
Terminal Clamp	Zinc-Plated Steel		Zinc-Plated Steel	
Terminal Screws	Brass 10-32		Brass 10-32	
Grounding Screw	Brass 8-32		Zinc-Plated Steel 8-32	
Strap Material	Brass 0.050"		Zinc-Plated Steel 0.042"	
Ground Clip	Brass		Brass	
<b>Mechanical Specifications</b>				
Terminal ID	Brass-Hot, Green-Ground, Silver-Neutral		Brass-Hot, Green-Ground, Silver-Neutral	
Terminal Accom.	14-10 AWG		14-10 AWG	
Wire Types	Solid or stranded		Solid or stranded	
Product ID.	Ratings are permanently marked on device		Ratings are permanently marked on device	
Termination	Back & side wiring, 8 back-wiring holes		Back & side wiring, 8 back-wiring holes	
<b>Standards &amp; Certifications</b>				
NEMA	WD-1 and WD-6		WD-1 and WD-6	
ANSI	C-73		C-73	
Certification/Listing	UL, CSA, NOM-ANCE		UL, CSA, NOM-ANCE	
Applicable Standards	UL 498, CSA C22.2 No. 42, FedSpec W-C-596		UL 498, CSA C22.2 No. 42	
<b>Guarantees</b>				
Product Warranty	10-Year Limited		10-Year Limited	

### Dimensions (Standard)



### Dimensions (Decora)



Visit our Website at:  
[www.leviton.com/industrial](http://www.leviton.com/industrial)  
 email: [industrial@leviton.com](mailto:industrial@leviton.com)

Q-914

### Leviton Manufacturing Co., Inc.

201 N Service Rd, Melville, NY 11747  
 Telephone: 1-800-323-8920 • FAX: 1-800-832-9538  
 Tech Line (8:30AM-7:30PM E.S.T. Monday-Friday): 1-800-824-3005

© 2014 Leviton Manufacturing Co., Inc. All rights reserved.

072814

