



**CORE VAC
PARTS LIST**

**CV258LC
ELECTRIC VAC**

DECEMBER 2021

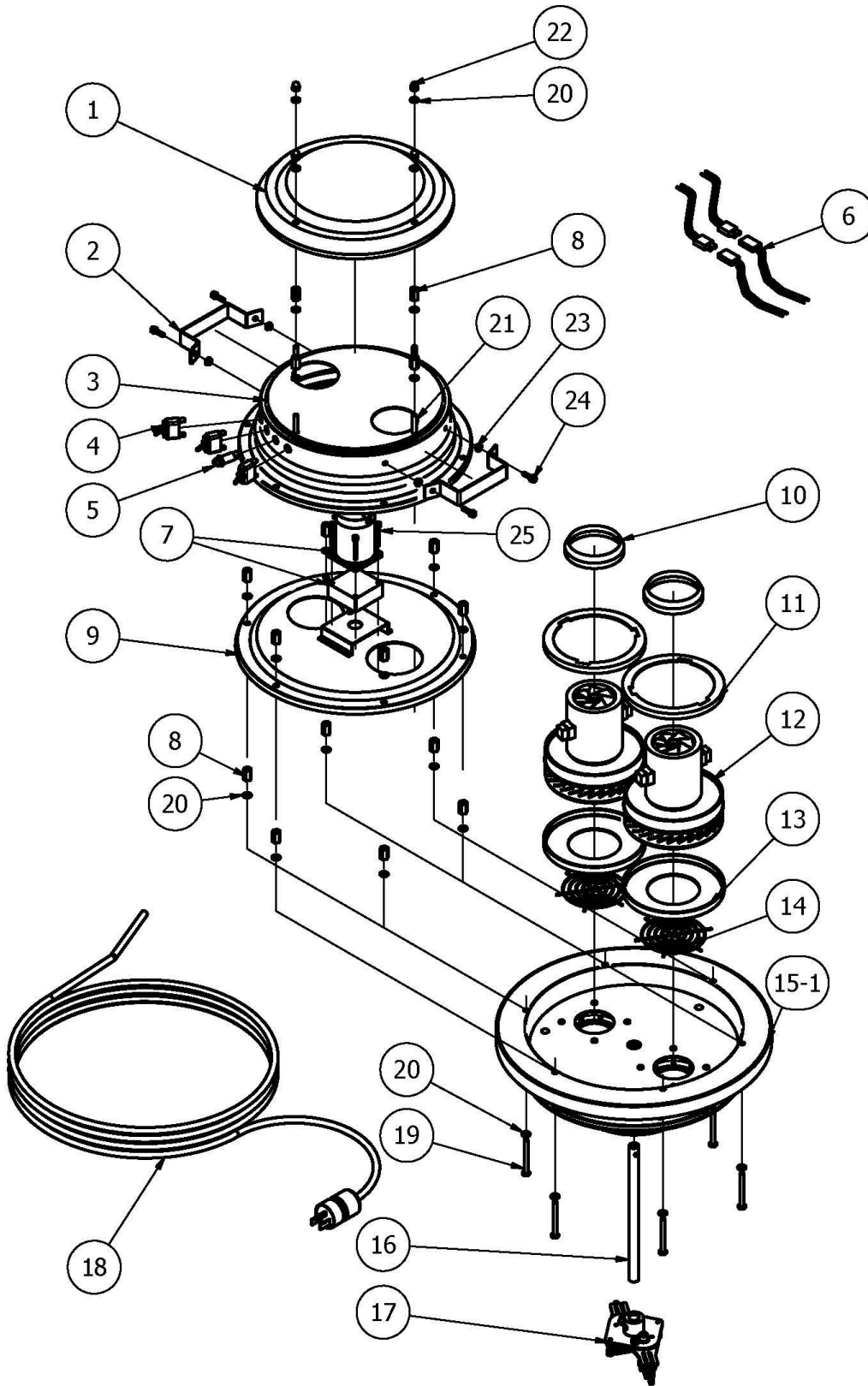
CV258LC PARTS LIST

Table of Contents

Head.....	4
Filter	6
Agitator.....	8
Main Drum.....	10
Dust Drum	12

CV258LC PARTS LIST

Head

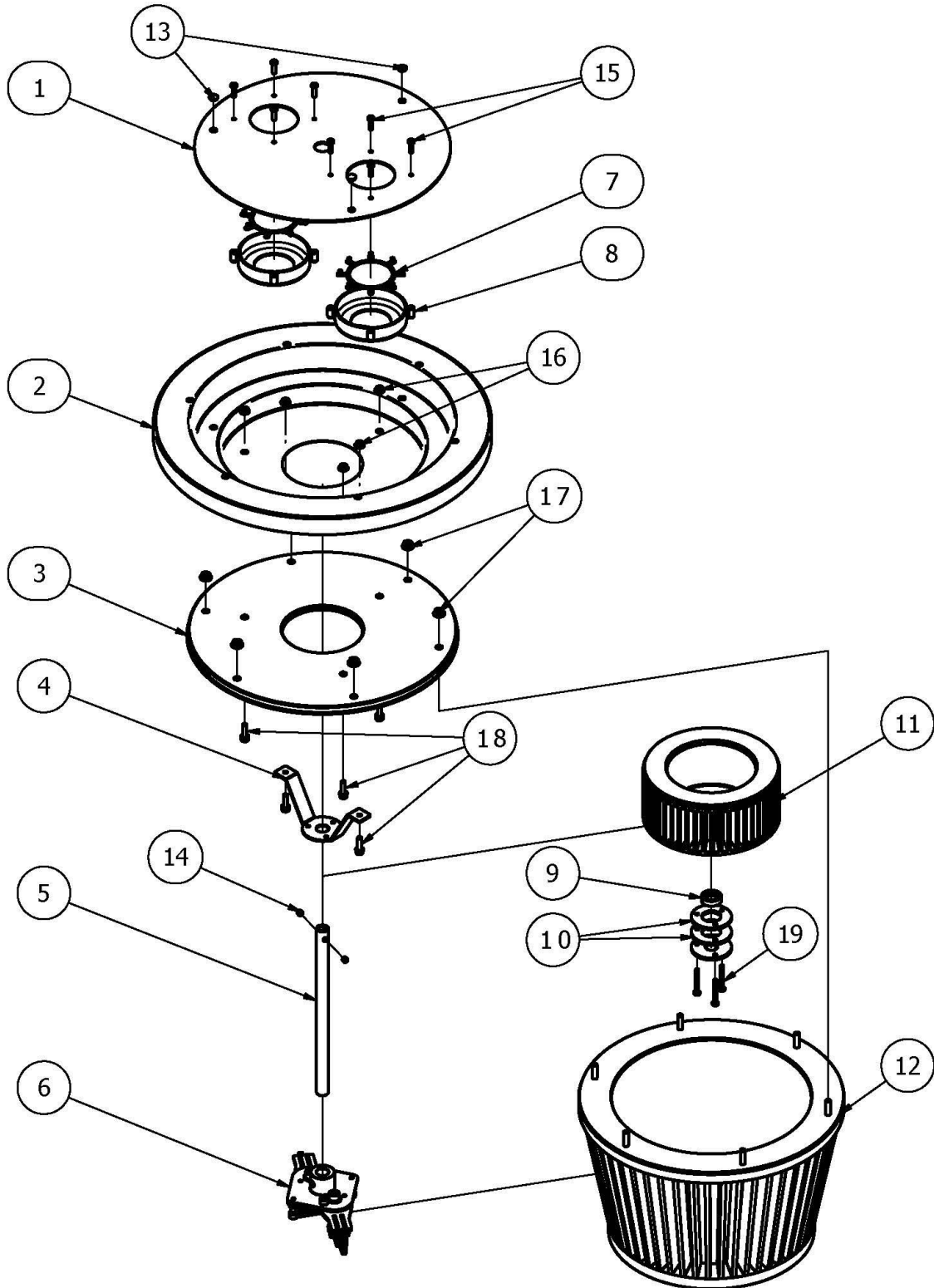


CV258LC PARTS LIST

FIG	PART NO.	QTY	DESCRIPTION
1	2508649	1	TOP HEAD COVER
2	2508586	2	HEAD HANDLE
3	2508650	1	MID COVER
4	2508585	3	ON/ OFF SWITCH
5	2508610	1	LED LAMP
6	2508596	1	MOTOR & ON/OFF SWITCH CABLE CONNECTOR
7	2505398	1	REDUCER MOTOR SET (>DEC 2021)
	2508611	1	REDUCER MOTOR SET (OLD STYLE) (<DEC 2021)
8	2508593	8	M8X16-11MM LONG NUT
9	2505399	1	MID COVER, LOWER (>DEC 2021)
	2508651	1	MID COVER, LOWER (OLD STYLE) (<DEC 2021)
10	2508595	2	TOP OF MOTOR COVER
11	2508597	2	MID MOTOR COVER
12	2508581	2	MAIN MOTOR
13	2508598	2	LOW OF MOTOR COVER
14	2508599	2	MASH COVER
15-1	2508652	1	END HEAD FRAME
16	2508658	1	SHAFT
17	2508655	1	SHAKE BAR
18	2509132	1	POWER CORD
19	2509152	6	M6X60 BOLT
20	2508889	14	M6 WASHER
21	2509150	6	M6X35 BOLT
22	2509145	4	M6 ACORN NUT
23	2508894	4	M5 FLANGE NUT
24	2508895	4	M5 BOLT SET

CV258LC PARTS LIST

Filter

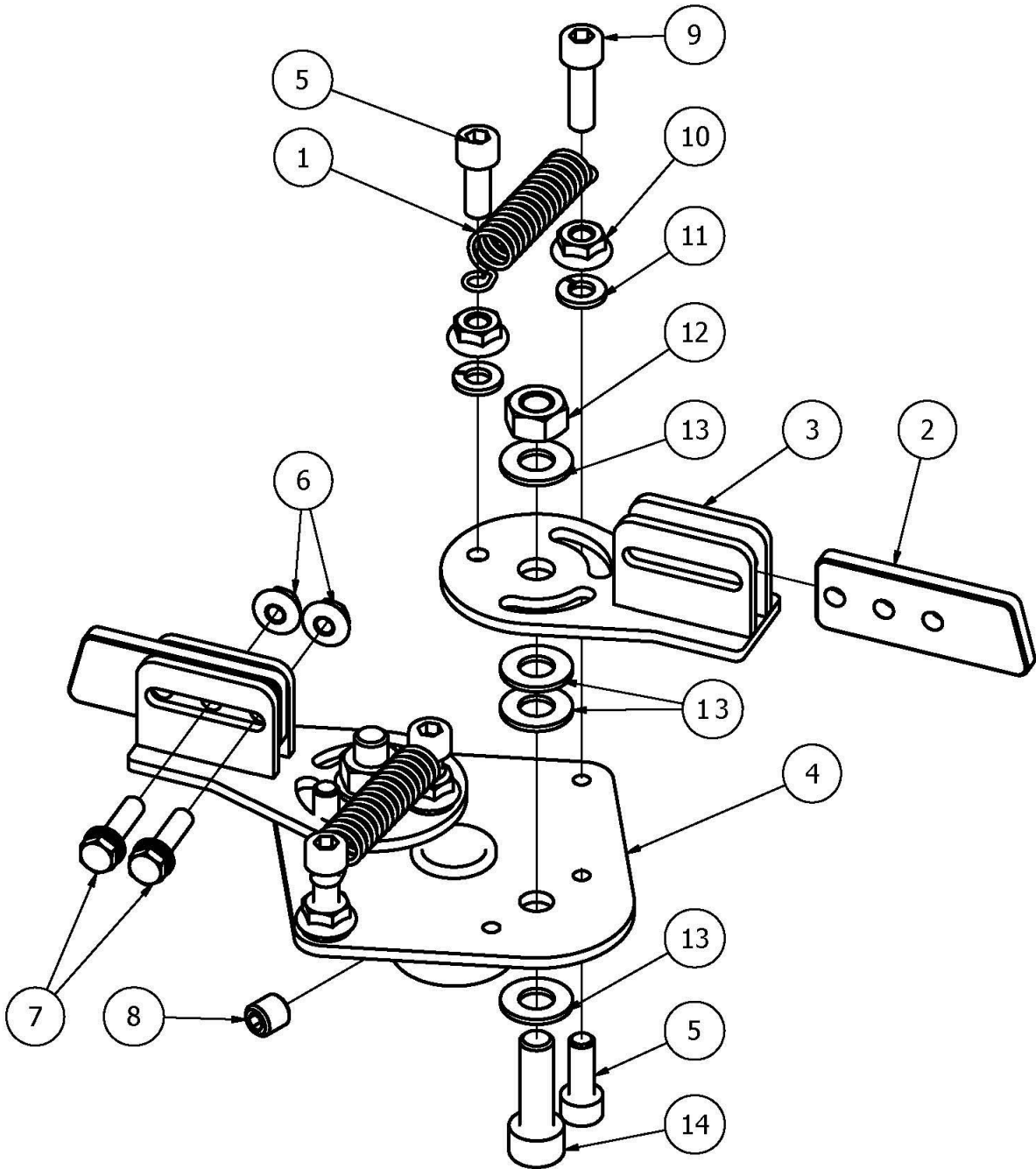


CV258LC PARTS LIST

FIG	PART NO.	QTY	DESCRIPTION
1	2509113	1	UPPER HEAD COVER
2	2508652	1	END HEAD FRAME
3	2509114	1	LOWER HEAD COVER
4	2508656	1	FILTER BRIDGE
5	2508658	1	SHAFT
6	2508655	1	SHAKE BAR
7	2509117	2	BACK FLOW PREVENTION CAP 1
8	2509118	2	BACK FLOW PREVENTION CAP 2
9	2508619	1	SILICON RETAINER
10	2508657	3	THICK WASHER SET
11	2508571	1	HEPA FILTER
12	2508572	1	MAIN FILTER
13	2509133	2	5MM RIVET
14	2509151	2	M6X5 SOCKET SET SCREW
15	2509139	8	M4X16 BUTTON HEAD SCREW
16	2508894	4	M5 FLANGE NUT
17	2509146	6	M6 FLANGE NUT
18	2508895	8	M5 BOLT SET
19	2509140	3	M4X35 BUTTON HEAD BOLT

CV258LC PARTS LIST

Agitator



CV258LC PARTS LIST

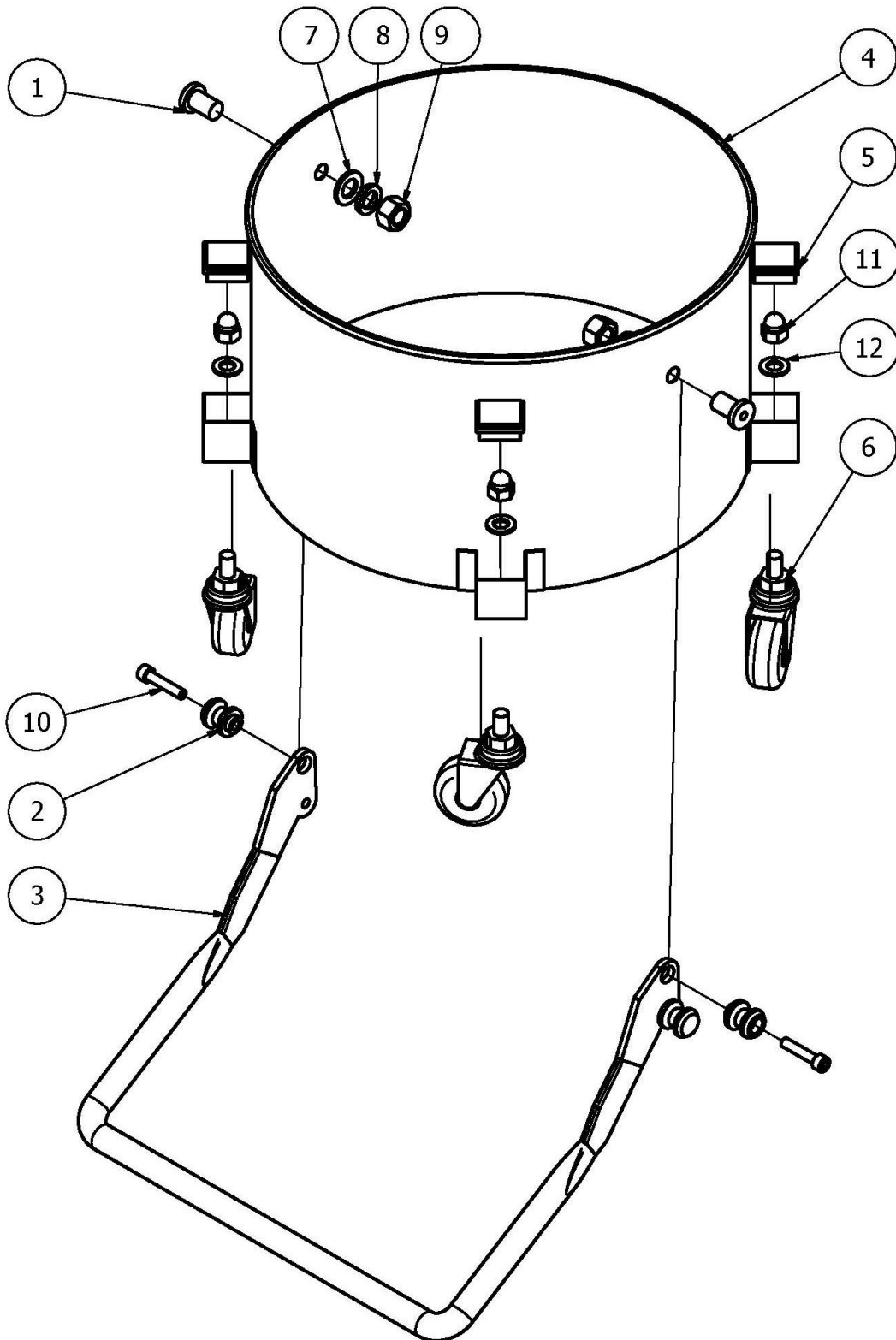
FIG	PART NO.	QTY	DESCRIPTION
1	2508584	2	SPRING
2	2508622	2	BLUE CHIP
3	2508660	2	BLUE CHIP FRAME
4	2508661	1	SHAKE BAR FRAME
5	2509148	2	M6X16 SOCKET SCREW
6	2508894	4	M5 FLANGE NUT
7	2508895	4	M5 BOLT SET
8	2509159	2	M8X8 SOCKET SET SCREW
9	2509149	2	M6X20 SOCKET BOLT
10	2509146	4	M6 FLANGE NUT
11	2509147	4	M6 SPRING WASHER
12	2508892	2	M8 LOCK NUT
13	2508891	6	M8 WASHER
14	2509156	2	M8X25 SOCKET BOLT

CV258LC PARTS LIST

FIG	PART NO.	QTY	DESCRIPTION
1	2508662	1	RUBBER SEAL
2	2508663	1	GASKET
3	2508664	1	MAIN DRUM
4	2508627	3	HOOK CLAMP
5	2509125	2	30X30 PVC CAP
6	2509119	2	POLE FRAME
7	2508631	2	DRUM HANDLE
8	2509115	2	LEVER SUPPORT STAND
9	2508666	1	CYCLONE COVER
10	2509124	1	DUST DRUM RUBBER SEAL
11	2509122	1	TOOL BOX
12	2509123	1	LOWER FRAME
13	2509126	1	GROUND CHAIN
14	2508665	1	HANDLE
15	2509120	2	MAIN DRUM BRACKET
16	2509121	2	POLE FRAME JOINT
17	2508668	2	TURN WHEEL 3"
18	2508669	2	WHEEL 5"
19	2508895	4	M5 BOLT SET
20	2509160	4	M10 ACORN NUT
21	2508884	4	M10 SPRING WASHER
22	2508885	4	M10 WASHER
23	2509143	4	M5 SPRING WASHER
24	2509141	4	M5 ACORN NUT
25	2509142	6	M5 NUT
26	2509144	6	M5X10 BUTTON HEAD WRENCH BOLT
27	2509136	4	M10X50 BOLT
28	2509137	2	M12 ACORN NUT
29	2509138	2	M12 WASHER
30	2509161	1	M4 SCREW
31	2509153	4	M8 ACORN NUT
32	2508891	4	M8 WASHER
33	2509142	4	M5 NUT
34	2509157	4	M8X50 BOLT
35	2509134	4	M10 FLANGE NUT
36	2508883	4	M10X20 BOLT
37	2509154	2	M8 NUT
38	2509155	2	M8 SPRING WASHER
39	2509158	2	M8X55 CARRRIAGE BOLT

CV258LC PARTS LIST

Dust Drum



CV258LC PARTS LIST

FIG	PART NO.	QTY	DESCRIPTION
1	2509128	2	LEVER JOINT BOLT
2	2509129	2	LEVER JOINT
3	2509127	1	LEVER
4	2509116	1	DUST DRUM
5	2509131	4	PVC CAP
6	2509130	4	DUST DRUM WHEEL 2.5"
7	2508939	2	M16 WASHER
8	2508938	2	M16 SPRING WASHER
9	2508937	2	M16 NUT
10	2509162	2	M8X40 SOCKET HEAD CAP BOLT
11	2509137	4	M12 ACORN NUT
12	2509138	4	M12 WASHER

EQUIPMENT AND PARTS WARRANTY

Diamond Products warrants all equipment manufactured by it against defects in workmanship or materials for a period of one (1) year from the date of shipment to Customer.

The responsibility of Diamond Products under this Warranty is limited to replacement or repair of defective parts at Diamond Products' Elyria, Ohio factory, or at a point designated by it, of such parts as shall appear to us upon inspection at such parts, to have been defective in material or workmanship, with expense for transportation and labor borne by Customer.

In no event shall Diamond Products be liable for consequential or incidental damages arising out of the failure of any Product to operate properly.

Integral units such as engines, electric motors, batteries, transmissions, etc., are excluded from this Warranty and are subject to the prime manufacturer's warranty.

THIS WARRANTY IS IN LIEU OF ALL OTHER WARRANTIES, EXPRESSED OR IMPLIED, AND ALL SUCH OTHER WARRANTIES ARE HEREBY DISCLAIMED.



333 Prospect Street, Elyria, Ohio 44035
(440) 323-4616 • (800) 321-5336 • Fax (800) 634-4035
www.diamondproducts.com