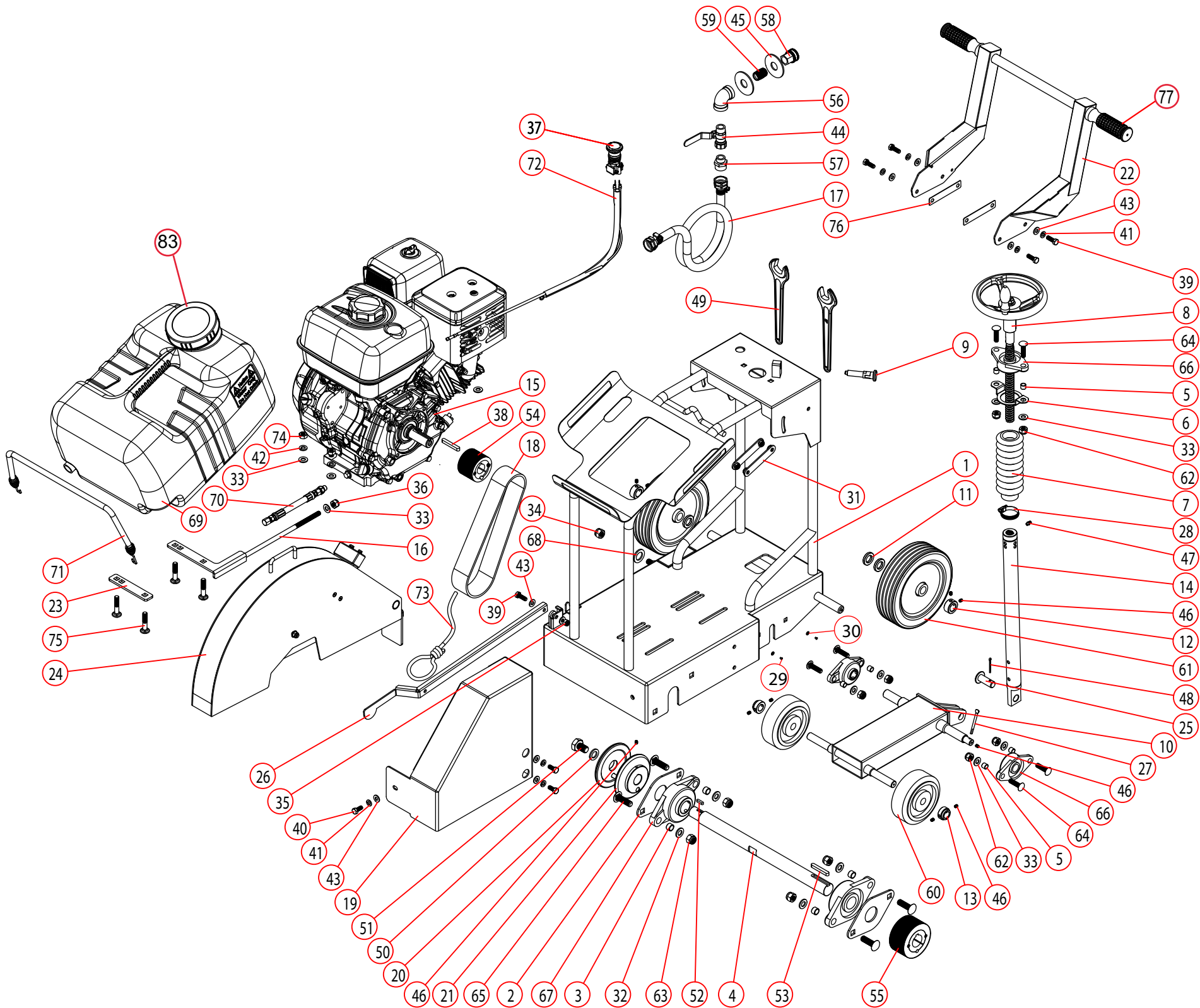




**CORE CUT
PARTS LIST**

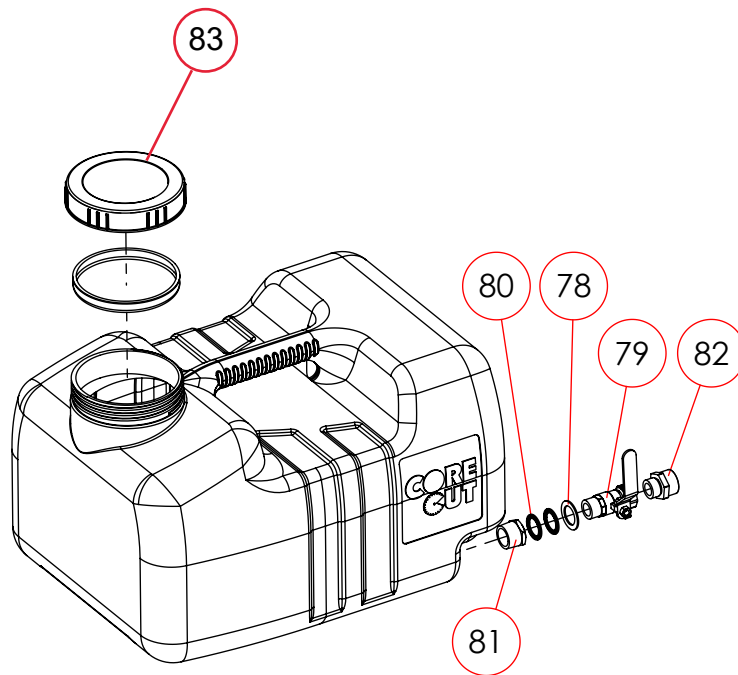
**CCE0900
CONCRETE SAW**

DECEMBER, 2021



	DP #	QTY	DESCRIPTION
1	6044318	1	Main frame weldment
2	6043454	2	Bearing spacer
3	6043453	4	D16 d12.7 X 10L Bushing
4	6044319	1	Blade shaft
5	6043478	6	D12 d9.5 X 10L Bushing
6	6043480	1	Bellow mount washer
7	6043481	1	Bellow, 25P;Ø40*Ø64*450L(MAX)
8	6043476	1	Depth control crank
9	6043422	1	Quick release lock pin
10	6044320	1	Axle Weldment
11	6043468	4	D32 d19 X 5L Spacer
12	6043467	2	d19.05 Set collar
13	6043444	2	d17 Set collar
14	6044399	1	Adjustment shaft
15	2600116	1	Engine
16	6044321	1	Motor Tension Plate
17	6044324	1	Garden Hose Assembly
18	2502000	1	Micro-V belt, 280PJ 20 rib
19	6044331	1	Belt Guard Weldment
20	6043458	1	Outer flange w/pin assembly
21	6043457	1	Inner flange
22	6044332	1	Push Handle
	6044363	1	Push Handle (New Style)
23	6043435	1	Belt adjustment bracket
24	6044323	1	Blade Guard
25	6043439	1	M16 X 39L - 30 Clevis type pin
26	6044325	1	Pointer
27	6044326	1	Depth indicator
28	6044333	1	1-3/4" - 13/16" Hose clamp
29	6044327	1	Push Handle Mounting Bracket A
30	6044341	1	Push Handle Mounting Bracket B
31	6044330	2	Handle Nut Weldment
32	2901357	5	M12 Regular Washer
33	2901356	11	M10 Regular Washer
34	6044342	1	M12 x 1.75 Nylon Nut
35	6044335	1	M8 x 1.25 Nylon Nut
36	6044336	1	M10 x 1.5 Nylon Nut
37	6044343	1	Emergency Stop Switch
38	6044358	1	6 X 6 X 58L Square key

	DP #	QTY	DESCRIPTION
39	6044337	5	M8 x 1.25 x 25L Hex bolt
40	2900329	3	M8 x 1.25 x 20L Hex bolt
41	2900763	7	M8 Spring Lock Washer
42	2900321	4	M10 Spring Lock Washer
43	6044334	9	M8 Wide Washer
44	6044344	1	Female 1/2" PT X male 1/2" PT straight ball valve
45	6043433	2	M20 Washer
46	2900576	10	M6 x 1.0 x 8L Flat point set screw
47	4600263	1	(1/4-28 UNF) Grease fitting
48	2900004	1	Cotter pin
49	2500256	2	Size 27 open-end wrench
50	6044340	1	5/8 Narrow washer inch
51	2903210	1	5/8 - 11 x 1 UNC Hex bolt - Left
52	6043448	1	5 x 5 x 20L Square key
53	6043447	1	8 x 7 x 56L Square key
54	6043417	1	1" (25.4mm) Bore micro-V pulley (D65mm)
55	6043456	1	1-1/4" (31.75mm) Bore micro-V pulley (D90mm)
56	6044317	1	Female 1/2" PT X female 1/2" PT elbow fitting
57	3200155	1	Fitting, 1/2"Male Pipe to 3/4"Male Garden Hose
58	3200022	1	Female 3/4" Garden swivel X female 1/2 PT straight fitting
59	6044359	1	Male 1/2" PT X male 1/2" PT straight thread
60	6043443	2	4" (D125) d17 X 55W Wheel
61	2501439	2	8" (D203.2) d19.05 X 53W Wheel
62	2900018	6	3/8 - 16 UNC Nylon Nut
63	6044360	4	1/2 - 13 UNC Nylon Nut
64	6044361	6	3/8 - 16 UNC x 1-1/2L Square neck bolt
65	6044362	4	1/2 - 13 UNC x 1-3/4L Square neck bolt
66	6043479	3	UCFL204-12 3/4" Flange caster bearing
67	2504038	2	UC207-20 Flange caster bearing
68	6044345	1	M20 Nylon washer
69	6044346	1	CCE0911 Water Tank
70	6044347	1	GX390 Oil hose assembly
71	6044348	1	20" Hooked bungee cord
72	6044349	1	CCE0911H-20 Emergency stop wire bundle
73	6044350	1	point rope
74	2900304	4	M10 x 1.5 Nut
75	6044351	4	M10 x 1.5 x 50L - 26shx Square neck bolt
76	6044352	2	Rectangular washer
	1802921		CCE0900 Control Label
77	6044400		Handle Grip



	DP #	QTY	DESCRIPTION
78	6044353	1	Washer D32 x d21.3 x ID 1.5T
79	6044344	1	Female 1/2" PT X male 1/2" PT straight ball valve fitting
80	6044355	2	PVC Spacer ID20mm x OD28mm
81	6044356	1	Bushing 3/4 x 1/2
82	3200155	1	Fitting, 1/2"Male Pipe to 3/4"Male Garden Hose
83	2505408	1	Tank Cap

Proposition 65
State of California

Warning !

Engine exhaust and some its constituents are known to the State of California to cause cancer, birth defects, and/or other reproductive harm.

Notification of Spark Arrester Requirement for
State of California

It is a violation of Section 4442 or 4443 to use or operate the engine on any forest-covered, brush-covered, or grass-covered land unless the engine is equipped with a spark arrester, as defined in Section 4442, maintained in effective working order or the engine is constructed, equipped, and maintained for the prevention of fire pursuant to Section 4443.

EQUIPMENT AND PARTS WARRANTY

Diamond Products warrants all equipment manufactured by it against defects in workmanship or materials for a period of 1 year from the date of shipment to Customer. The responsibility of Diamond Products under this Warranty is limited to replacement or repair of defective parts at Diamond Products' Elyria, Ohio factory, or at a point designated by it, of such parts as shall appear to us upon inspection at such parts, to have been defective in material or workmanship, with expense for transportation and labor borne by Customer. In no event shall Diamond Products be liable for consequential or incidental damages arising out of the failure of any Product to operate properly.

THIS WARRANTY IS IN LIEU OF ALL OTHER WARRANTIES, EXPRESSED OR IMPLIED, AND ALL SUCH OTHER WARRANTIES ARE HEREBY DISCLAIMED.



333 Prospect Street, Elyria, Ohio 44035
(440) 323-4616 • (800) 321-5336 • Fax (800) 634-4035
www.diamondproducts.com