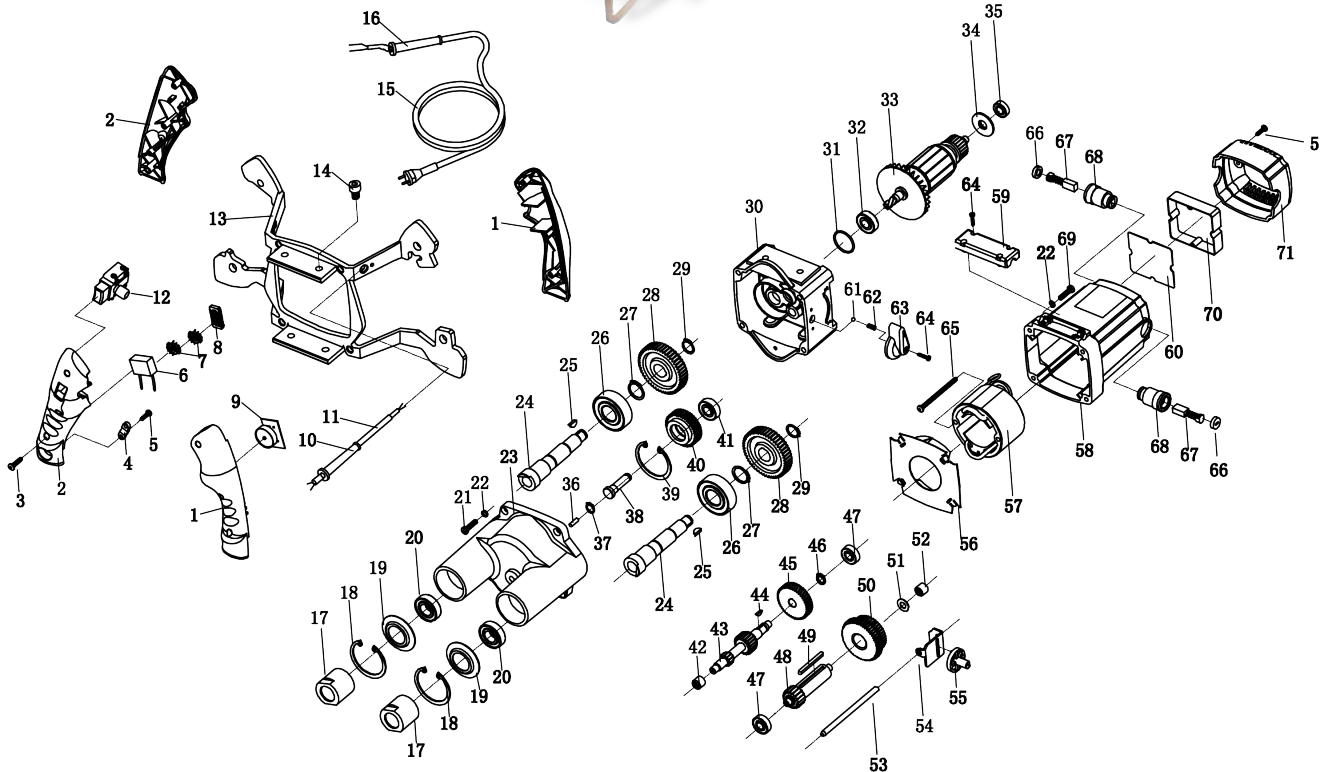
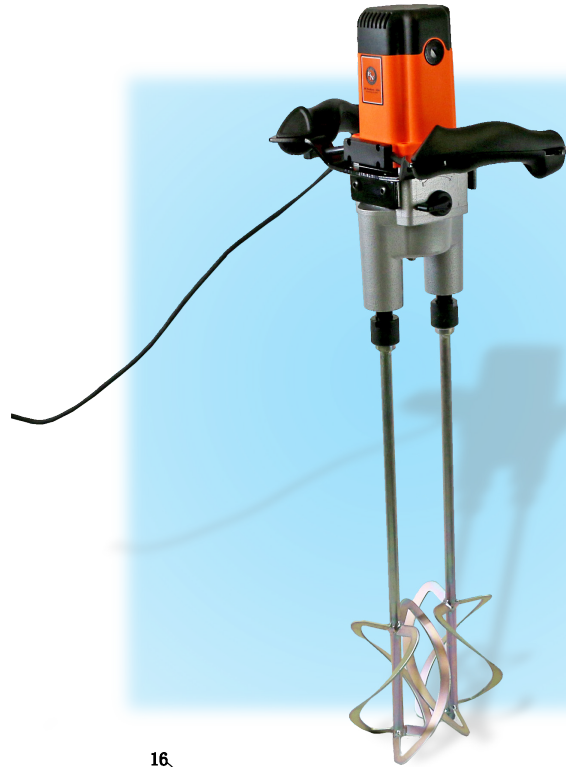




# BN Products-USA, LLC.

3450 Sabin Brown Road • Wickenburg, Arizona 85390  
(800) 992-3833 • (928) 684-2813 • www.bnproducts.com

## BNR6402K Material Mixer



*Products that make money, save money and add value to your bottom line*



# BN Products-USA, LLC.

3450 Sabin Brown Road • Wickenburg, Arizona 85390  
 (800) 992-3833 • (928) 684-2813 • www.bnproducts.com

## BNR6402K Material Mixer

NO.	ITEM NO.	DESCRIPTION	QTY.
1	BNR6402KP-01	RIGHT HANDLE	1
2		LEFT HANDLE	1
3	BNR6402K-03	SCREW ST3.9X20	6
4	BNR6400-02	CLAMP	1
5	BNR6402K-05	SCREW ST3.5X16	4
6	BNR6402K-06	CAPACITANCE	1
7	BNR6402K-08	ROUND INDUCTANCE	2
8	BNR6402K-07	THE INDUCTANCE	1
9	BNR6402K-08	SPEED CONTROL	1
10	BNR6402K-10	SLEEVE (MG)	2
11	BNR6402K-11	CABLE	2
12	BNR6402K-12	SWITCH	1
13	BNR6402KP-13	STEEL FRAME	1
14	BNR6402K-15	SCREW M8X12	4
15	BNR6400-16	CORD	1
16	BNR6400-66	SLEEVE (BIG)	1
17	BNR6402K-18	PADDLE LOCKING COLLAR SET (LEFT AND RIGHT)	1
18	BNR6402K-19	SAFETY RING Ø40	2
19	BNR6402K-20	DUST COVER	2
20	BNR6402K-21	BEARING 6203 Z	2
21	BNR6402K-22	SCREW M5X20	4
22	BNR6402K-23	SPRING WASHER Ø5	8
23	BNR6402K-24	BEARING COVER	1
24	BNR6402K-25	SPINDLE	2
25	BNR6402K-26	HEMICYCLE KEY 3X3X10	2
26	BNR6402K-27	BEARING 6002 Z	2
27	BNR6402K-28	SAFETY RING Ø17	2
28	BNR6402K-29	SPINDLE GEAR	2
29	BNR6402K-30	SAFETY RING Ø12	2
30	BNR6402K-31	GEAR BOX	1
31	BNR6402K-32	SEALRING Ø28*1.9	1
32	BNR6402K-33	BEARING 6001 2RS	1
33	BNR6400-30	ROTOR ASSEMBLY	1
34	BNR6402K-35	M INSULATION GASKET	1
35	BNR6402K-36	BEARING 608 Z	1
36	BNR6402K-37	PIN 4*14	2
37	BNR6402K-38	SAFETY RING Ø9	1
38	BNR6402K-39	REVERSE SHAFT	1

39	BNR6402K-40	SAFETY RING Ø26	1
40	BNR6402K-41	REVERSING SLIDING GEAR	1
41	BNR6402K-42	BEARING 6000 ZZ	1
42	BNR6402K-43	NEEDLE BEARING HK0810	1
43	BNR6402K-44	THE SECOND ACTIVE GEAR SHAFT	1
44	BNR6402K-45	HEMICYCLE KEY 2.5X3.7X10	1
45	BNR6402K-46	MOTOR GEAR	1
46	BNR6402K-47	SAFETY RING Ø10	1
47	BNR6402K-48	BEARING 698 Z	2
48	BNR6402K-49	THE THIRD ACTIVE GEAR SHAFT	1
49	BNR6402K-50	PARALLEL KEY 4X4X45	1
50	BNR6402K-51	SPINDLE DOUBLE GEAR	1
51	BNR6402K-52	FLAT WASHER 16*8*0.8	1
52	BNR6402K-53	NEEDLE BEARING HK0808	1
53	BNR6402K-54	PIVOT Ø6*89	1
54	BNR6402K-55	GUIDE	1
55	BNR6402K-56	PARTIAL CORE + ECCENTRIC WHEEL CORE	1
56	BNR6400-52	AIRGUIDE SHIM	1
57	BNR6400-55	THE STATOR (INCLUDING THE BRUSH RING)	1
58	BNR6400-56	MOTOR HOUSING	1
59	BNR6402K-60	CLAMP	1
60	BNR6402K-61	CONSTANT POWER BOARD	1
61	BNR6402K-62	BALL Ø4	1
62	BNR6402K-63	SPRING Ø0.5*Ø3.9*L12	1
63	BNR6402K-64	LEVER	1
64	BNR6402K-65	SCREW ST3X16	5
65	BNR6402K-66	SCREW ST5X65	2
66	BNR6402K-67	BRUSH CAP	2
67	BNR6400-59	CARBON BRUSH 6.5*15*18	2
68	BNR6402K-69	BRUSH HOLDER	2
69	BNR6402K-70	SCREW M5X25	4
70	BNR6400-62	CIRCUIT BOARD SEATS	1
71	BNR6400-63	REAR COVER	1

Material is mixed from top to bottom

*Products that make money, save money and add value to your bottom line*